



Specification

Shell

Oil Service - seamless shell, designed and manufactured to PED 97/23/EEC and CE marked. Material - Chromium-molybdenum steel. Working pressure 207, 310, 345 and 420 bar. Water service as above with shell interior epoxy resin lined.

Label

With assembly specification and installation details

Witness hydro-pneumatic pressure tests

A hydrostatic test is carried out on all our accumulator shells. However we can carry out additional pressure tests on the complete accumulators with or without witness by a specified inspection authority and/or customer as an optional extra. Please request a price if required.

Material Certification

Available on request for all major pressure loaded parts to EN 10204 3.1

Finish

One coat primer paint as standard. Special paints available.

Bladder

Totally enclosed construction with an extensive range of elastomers available. See Bladder information for further details.

Fluid Port Assembly

Integral high-flow port and poppet valve assembly with an anti-extrusion ring. For options see overleaf.

Safety

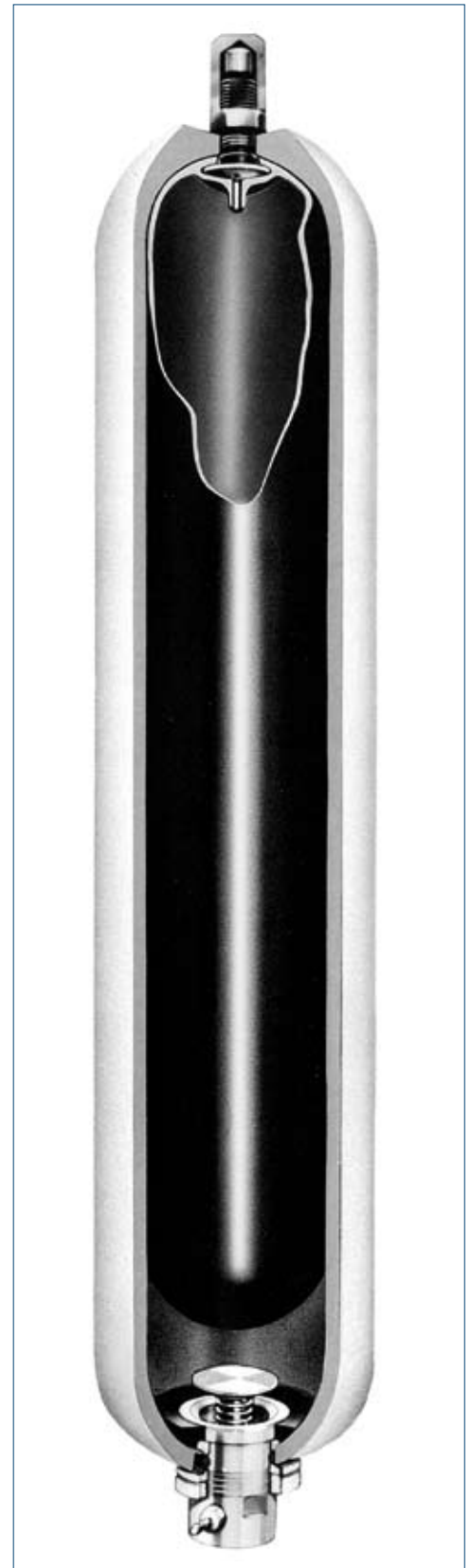
All gas-loaded accumulators are pressurised vessels and it is recommended that safety consideration be given to the application in which they are used. A relief valve should always be fitted to the hydraulic system with the option of a burst disc to protect the accumulator. If there is a fire risk in the vicinity of the accumulator, then a fusible/eutectic plug should be fitted. See Installation and Servicing data sheet for information regarding installation of accumulators.

Accessories

A complete range of accumulator accessories are available from Fawcett Christie Hydraulics.

Spare Parts

Available on request.



Model Numbers for Standard Bladder Accumulators

54 0 0A 00 20 1

Nominal Volume - Litres

Bladder Material

- 0 = Nitrile Standard
- 1 = Butyl
- 2 = Low Temperature Nitrile
- 3 = Low permeability
- 6 = Viton
- 8 = High Temperature Nitrile

Bladder Stem/ Gas Valve

| | | |
|----------------------------------|--------------------|-----------------------|
| 0B-0F | 01-37L | 54L |
| OA = 5/8" UNF/1/4" BSPM | | M50 x 1.5 / 1.4" BSPM |
| 9A = 5/8" UNF/302-32 | 7/8" UNF/1/4" BSPM | 7/8" UNF / 302-32 |
| SA = as OA but corrosive service | 7/8" UNF/302-32 | |

Shell and Fluid Port Options

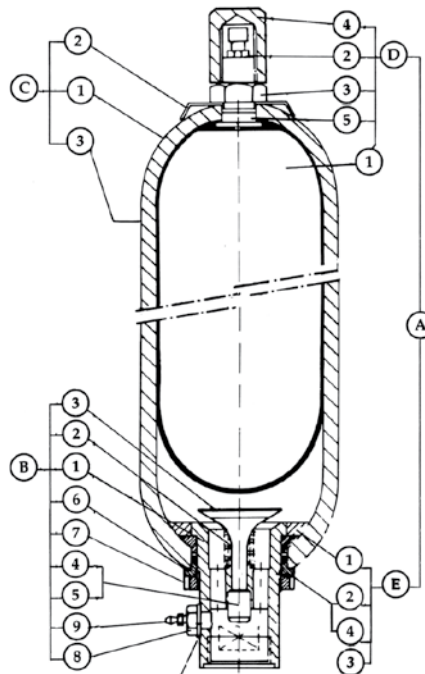
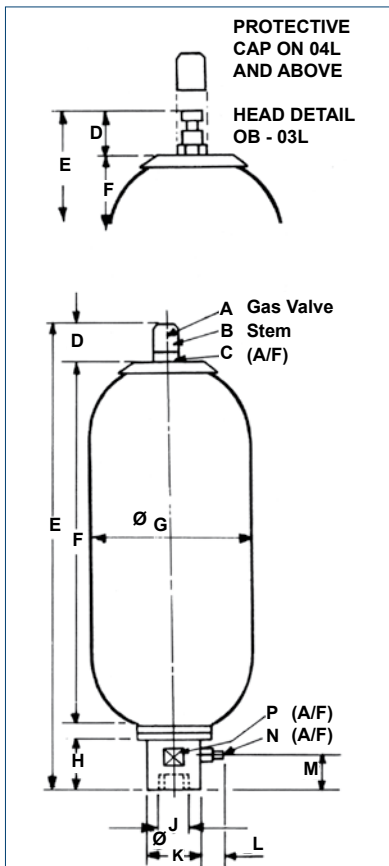
- 00 = Oil Service
 - 02 = Low/medium corrosive service
 - 03 = British coal industry spec. -water service
 - 04 = British coal industry oil service
 - 13 = NPT fluid port - oil service
 - 14 = NPT fluid port - Low/medium corrosive service
 - W6 = Stainless steel externals, unlined shell
- Note: for other assembly options contact Head Office
DN - SAE 6000 flange nipple

Maximum Working Pressure

- 20 = 207 bar
- 31 = 310 bar
- 34 = 345 bar
- 35 = 350 bar
- 42 = 420 bar

Design Standard/ Authority Approval

- 1 = Lloyds/CE



Note: Models 1/54 litres detailed above. Models 0.6 litres and below have Gas Valve assembly integral with bladder stem without protective cap fitted.

* Not fitted on all models

| | |
|----------|---------------------------------------|
| A | Bladder Kit comprising: |
| D | Bladder assembly |
| D1 | Bladder |
| D2 | Gas valve assembly |
| D3 | Locknut |
| D4 | Protective cap |
| D5 | 'O' ring stem |
| E | Anti extrusion ring assembly |
| E1 | Anti extrusion ring |
| E2 | 'O' ring fluid port* |
| E3 | Bonded seal |
| E4 | Back-up ring |
| B | Fluid port assembly comprising |
| B1 | Fluid port body |
| B2 | Spring |
| B3 | Poppet valve |
| B4 | Collett |
| B5 | Piston |
| B6 | Flanged washer |
| B7 | Locking ring |
| B8 | Bleed adaptor* |
| B9 | Bleed valve* |
| C | Shell assembly comprising: |
| C1 | Shell |
| C2 | Label |
| C3 | Label warning |

| Nominal Capacity Litres | Effective Gas vol. Litres | Work press. bar | Max Flow Rate l/min | Weight Dry Kilo | Dimensions in mm unless stated otherwise and subject to manufacturer's tolerances | | | | | | | | | | | | | |
|----------------------------|------------------------------|--------------------|------------------------|--------------------|-----------------------------------------------------------------------------------|-------------|----|----|------|------|-----|----|-------------|----|----|----|----|----|
| | | | | | A Inches | B Inches | C | D | E | F | G | H | J Inches | K | L | M | N | P |
| OB | 0.16 | 345 | 27 | 2.00 | ¼ BSP | ⅝ UNF | 24 | 40 | 292 | 205 | 56 | 36 | ¾ BSPM | 26 | - | - | - | 23 |
| OF | 0.60 | 345 | 109 | 2.70 | ¼ BSP | ⅝ UNF | 24 | 40 | 266 | 175 | 92 | 37 | ¾ BSPF | 35 | - | - | - | 32 |
| 01C | 1.15 | 350 | 109 | 5.70 | ¼ BSP | ⅞ UNF | 28 | 78 | 330 | 200 | 116 | 37 | ¾ BSPF | 35 | - | - | - | 32 |
| 03C | 2.5 | 350 | 215 | 10.00 | ¼ BSP | ⅞ UNF | 28 | 78 | 565 | 402 | 116 | 49 | 1 ¼ BSPF | 52 | 5 | 40 | 15 | 50 |
| 04 | 3.8 | 207 | 477 | 15.20 | ¼ BSP | ⅞ UNF | 33 | 78 | 455 | 289 | 169 | 74 | 1 ¼ BSPF | 60 | 36 | 39 | 9 | 55 |
| 04 | 3.8 | 345 | 477 | 15.20 | ¼ BSP | ⅞ UNF | 33 | 78 | 455 | 289 | 169 | 74 | 1 ¼ BSPF | 60 | 36 | 39 | 9 | 55 |
| 10 | 9.4 | 207 | 749 | 30.00 | ¼ BSP | ⅞ UNF | 33 | 78 | 575 | 407 | 221 | 70 | 2 BSPF | 76 | 36 | 46 | 9 | 69 |
| 10 | 9.4 | 310 | 749 | 30.00 | ¼ BSP | ⅞ UNF | 33 | 78 | 575 | 407 | 221 | 70 | 2 BSPF | 76 | 36 | 46 | 9 | 69 |
| 10 | 9.4 | 345 | 749 | 30.00 | ¼ BSP | ⅞ UNF | 33 | 78 | 575 | 407 | 221 | 70 | 2 BSPF | 76 | 36 | 46 | 9 | 69 |
| 10 | 9.4 | 420 | 749 | 34.00 | ¼ BSP | ⅞ UNF | 33 | 78 | 575 | 407 | 228 | 70 | 2 BSPF | 76 | 36 | 46 | 9 | 69 |
| 20 | 18.8 | 207 | 749 | 46.00 | ¼ BSP | ⅞ UNF | 33 | 78 | 886 | 718 | 221 | 70 | 2 BSPF | 76 | 36 | 46 | 9 | 69 |
| 20 | 18.8 | 310 | 749 | 46.00 | ¼ BSP | ⅞ UNF | 33 | 78 | 886 | 718 | 221 | 70 | 2 BSPF | 76 | 36 | 46 | 9 | 69 |
| 20 | 18.8 | 345 | 749 | 46.00 | ¼ BSP | ⅞ UNF | 33 | 78 | 886 | 718 | 221 | 70 | 2 BSPF | 76 | 36 | 46 | 9 | 69 |
| 20 | 18.8 | 420 | 749 | 54.00 | ¼ BSP | ⅞ UNF | 33 | 78 | 886 | 718 | 228 | 70 | 2 BSPF | 76 | 36 | 46 | 9 | 69 |
| 28 | 25.8 | 207 | 749 | 61.00 | ¼ BSP | ⅞ UNF | 33 | 78 | 1158 | 990 | 221 | 70 | 2 BSPF | 76 | 36 | 46 | 9 | 69 |
| 28 | 25.8 | 310 | 749 | 61.00 | ¼ BSP | ⅞ UNF | 33 | 78 | 1158 | 990 | 221 | 70 | 2 BSPF | 76 | 36 | 46 | 9 | 69 |
| 28 | 25.8 | 345 | 749 | 61.00 | ¼ BSP | ⅞ UNF | 33 | 78 | 1158 | 990 | 221 | 70 | 2 BSPF | 76 | 36 | 46 | 9 | 69 |
| 28 | 25.8 | 420 | 749 | 70.00 | ¼ BSP | ⅞ UNF | 33 | 78 | 1158 | 990 | 228 | 70 | 2 BSPF | 76 | 36 | 46 | 9 | 69 |
| 37 | 35.2 | 207 | 749 | 74.00 | ¼ BSP | ⅞ UNF | 33 | 78 | 1407 | 1239 | 221 | 70 | 2 BSPF | 76 | 36 | 46 | 9 | 69 |
| 37 | 35.2 | 310 | 749 | 74.00 | ¼ BSP | ⅞ UNF | 33 | 78 | 1407 | 1239 | 221 | 70 | 2 BSPF | 76 | 36 | 46 | 9 | 69 |
| 37 | 35.2 | 345 | 749 | 74.00 | ¼ BSP | ⅞ UNF | 33 | 78 | 1407 | 1239 | 221 | 70 | 2 BSPF | 76 | 36 | 46 | 9 | 69 |
| 37 | 35.2 | 420 | 749 | 86.00 | ¼ BSP | ⅞ UNF | 33 | 78 | 1407 | 1239 | 228 | 70 | 2 BSPF | 76 | 36 | 46 | 9 | 69 |
| 54 | 49.2 | 207 | 749 | 102.00 | ¼ BSP | M50x 1.5 | 69 | 66 | 1922 | 1766 | 221 | 70 | 2 BSPF | 76 | 36 | 46 | 9 | 69 |
| 54 | 49.2 | 310 | 749 | 102.00 | ¼ BSP | M50x 1.5 | 69 | 66 | 1922 | 1766 | 221 | 70 | 2 BSPF | 76 | 36 | 46 | 9 | 69 |
| 54 | 49.2 | 345 | 749 | 102.00 | ¼ BSP | M50x 1.5 | 69 | 66 | 1922 | 1766 | 221 | 70 | 2 BSPF | 76 | 36 | 46 | 9 | 69 |
| 54 | 49.2 | 420 | 749 | 119.00 | ¼ BSP | M50x 1.5 | 69 | 66 | 1922 | 1766 | 228 | 70 | 2 BSPF | 76 | 36 | 46 | 9 | 69 |



THE OLAER GROUP: **AUSTRALIA** Olaer FCH. Tel. +61 2 9981 6888. **AUSTRIA** Olaer Austria GmbH. Tel: +43 7229 80306. **BELGIUM** S.A. Olaer Benelux Tel: +32 2 466 15 15.
CZECH REPUBLIC Olaer CZ s.r.o. Tel: +42 5 47125 601-8. **DENMARK** Oiltech DK. Tel: +45 86 69 20 38. **FINLAND** Oiltech Hydraulics OY. Tel: +358 9 413 755 00. **FRANCE** Olaer Industries S.A. Tel: +33 1 4119 1700.
GERMANY Olaer Industries GmbH. Tel: +49 6842 9204-0. **HOLLAND** Olaer Nederland B.V. Tel: +31 76 5412453. **INDIA** FCH India Tel: + 91 80 28437690 91. **ITALY** Olaer Italiana S.p.A. Tel: +39 0119918511.
KOREA Hyundai Olaer Hydraulic Co. Tel: +82 31 499 0897. **NORWAY** Oiltech AS. Tel: +47 64 91 1180. **POLAND** Oiltech Polska Tel: +48 22 6738162. **SOUTH AFRICA** FCH c/o Rolton Products CC. Tel: +27 11 474 3095.
SPAIN Olaer-Oiltech Iberica SAU Tel: +34 933 368 900. **SWEDEN** Oiltech AB. Tel: +46 8 636 07 00. **SWITZERLAND** Olaer (Schweiz) AG. Tel: + 41 26 492 70 00. **UK** FCH Ltd. Tel: +44 1244 535515.
USA Oil Air Hydraulics Inc. Tel: +1 713 937 89 00.