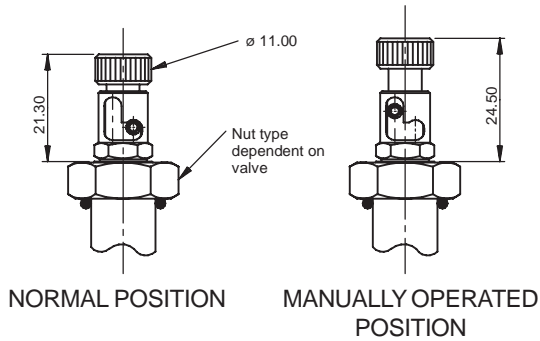
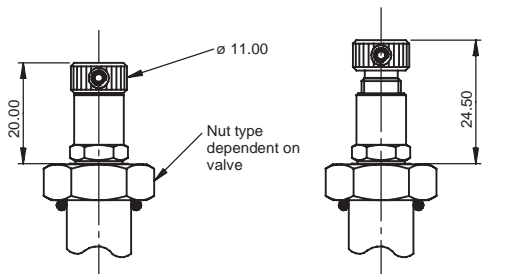




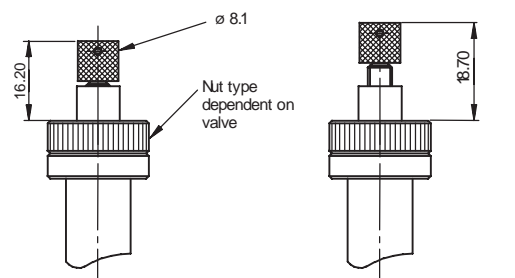
PUSH AND TWIST MANUAL OVERRIDE TYPE 1



SCREW, NORMALLY OPEN MANUAL OVERRIDE TYPE 2



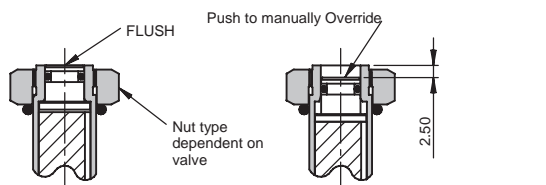
SCREW, NORMALLY CLOSED MANUAL OVERRIDE TYPE 2



MANUALLY OPERATED POSITION NORMAL POSITION

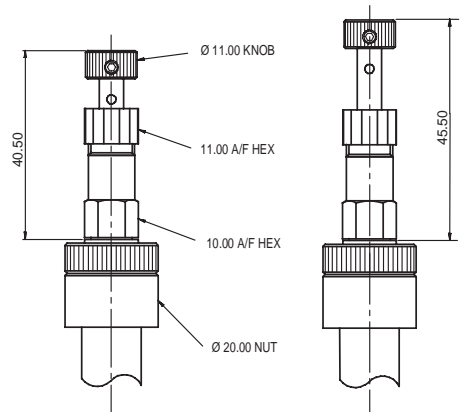
NORMAL POSITION MANUALLY OPERATED POSITION

PUSH MANUAL OVERRIDE TYPE 3



PUSH TO MANUALLY OVERRIDE

PUSH/PULL MANUAL OVERRIDE TYPE 4



NORMAL PULLED OUT

Integrated Hydraulics Ltd

Collins Road, Heathcote Ind. Est., Warwick, CV34 6TF, UK.
Tel: +44 (0) 1926 881171 Fax: +44 (0) 1926 315729
Website: www.integratedhydraulics.com

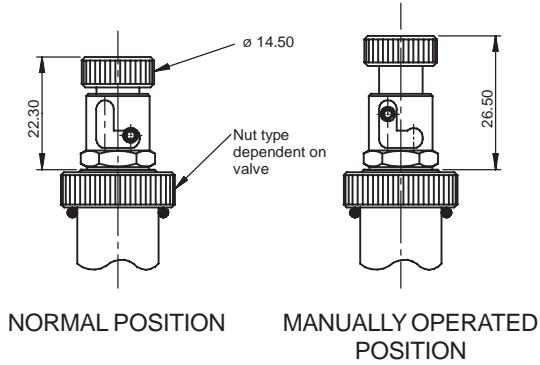
Integrated Hydraulics Inc

7047 Spinach Drive, Mentor, Ohio 44060, USA
Tel: (440) 974 3171 Fax: (440) 974 3170
Website: www.integratedhydraulics.com

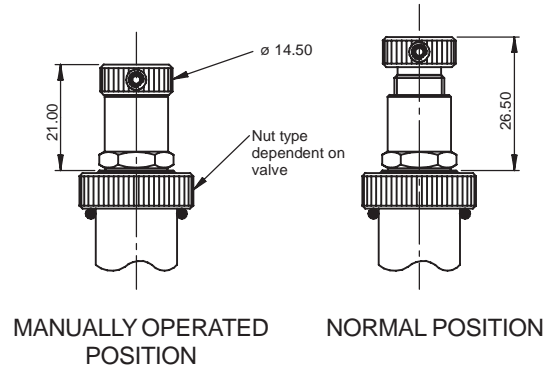
S5 Series

- consult factory for availability

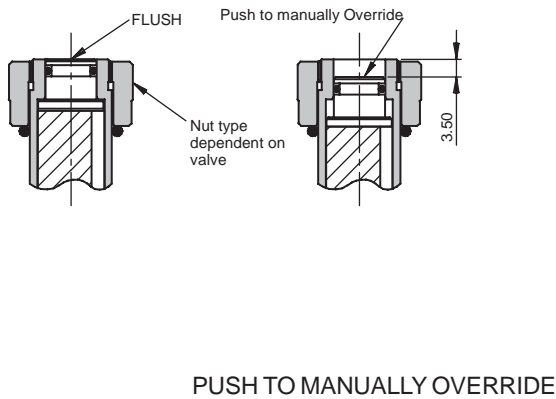
**PUSH AND TWIST MANUAL OVERRIDE
TYPE 1**



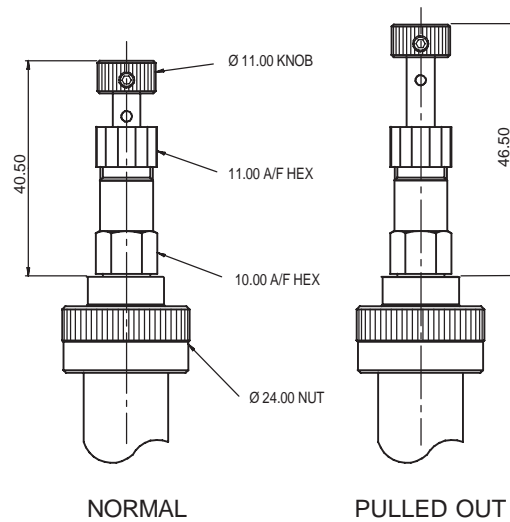
SCREW MANUAL OVERRIDE TYPE 2



PUSH MANUAL OVERRIDE TYPE 3



PUSH/PULL MANUAL OVERRIDE TYPE 4



S6Series

- consult factory for availability

PUSH MANUAL OVERRIDE TYPE 3

