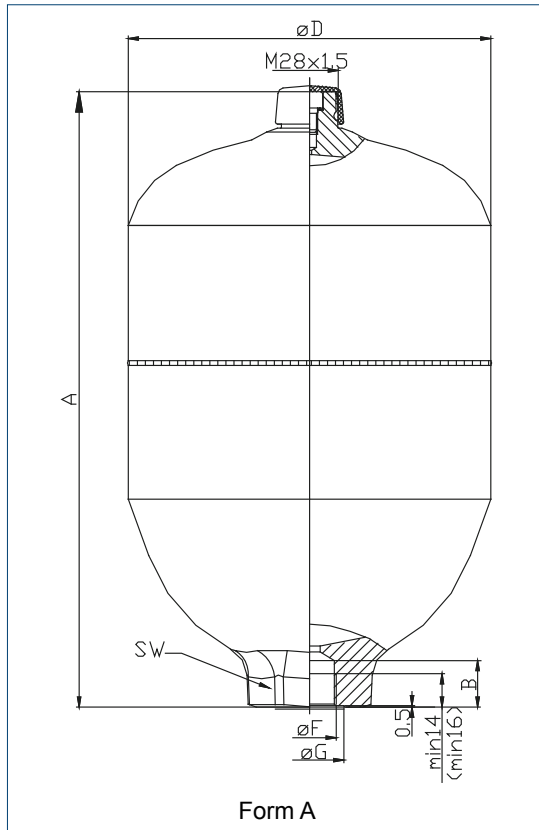


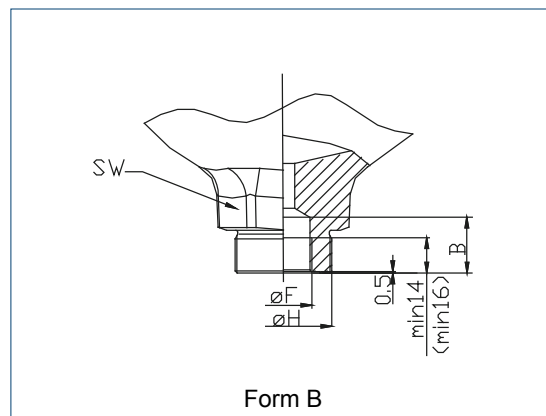


### Specification



### Approval

All accumulators of this range are manufactured, approved and certified according to Directive 97/23/EC of the European Parliament. Other approvals are available upon request.



Type OLM/ELM	Gas Volume Vo (L)	MWP (bar)	Fluid Form Connection	P max/ Po	Pmax- Pmin	Weight (kg)	Temperature Range	Dimensions							
								A	B	$\varnothing D$	$\varnothing G$	$\varnothing F$	H	SW	Mounting
109318-01125	0.75	350	A	8:1	150	4	-20°C/+80°C	173	22	128.5	34	G ½"	-	41	-
109319-01125	0.75	350	B	8:1	150	4	-20°C/+80°C	184	33	128.5	-	G ½"	M33x1.5	41	M33x1.5
109321-01125	1.4	350	A	8:1	150	7	-20°C/+80°C	198	22	156	34	G ½"	-	41	-
109322-01125	1.4	350	B	8:1	150	7	-20°C/+80°C	220	44	156	-	G ½"	M33x1.5	41	M33x1.5
110060-01125	2.0	350	A	8:1	200	9.5	-10°C/+80°C	251	22	156	34	G ¾"	-	41	-
110061-01125	2.0	350	B	8:1	200	9.5	-10°C/+80°C	269	40	156	-	G ¾"	M45x1,5	50	M45x1,5
109758-01125	2.8	350	A	6:1	200	14,3	-10°C/+80°C	264	23	180	34	G ¾"	-	55	-
109759-01125	2.8	350	B	6:1	200	14,5	-10°C/+80°C	285	26	180	-	G ¾"	M45x1,5	55	M45x1,5
109849-01125	3.5	350	A	4:1	200	16	-10°C/+80°C	304	23	180	34	G ¾"	-	55	-
109850-01125	3.5	350	B	4:1	200	16,5	-10°C/+80°C	325	26	180	-	G ¾"	M45x1,5	55	M45x1,5

Manufacturing tolerances are not considered.