

15P/30P Series

MAX 200 l/min - 207 bar



15P/30P Series

Features & Benefits

Features	Advantages	Benefits
Compact aluminium housing	Light weight but still robust design	Reliable and continuous operation both in mobile and industrial applications
Two head sizes and two bowl lengths	Optimised sizing	Efficient filtration
		Right filter for each application
Large ports and wide flow paths	Low differential pressure across housing and element	Higher flow rates possible
		Less lost energy
Microglass III replacement elements	Multi-layered design produced high capacity and efficiency	Great performance value
		Reliable performance throughout element life
	Wire support reduces pleat bunching, keeps performance consistent	Reduces downtime, maximises element life
Visual, electrical and electronic indicators available	Check element condition at a glance	Optimise element life, prevent bypassing
	Right style for the application	Matches your system electrical connections

Typical Applications

- Saw mills
- Aircraft ground support equipment
- Asphalt pavers
- Hydraulic fan drives
- Power steering circuits
- Domestic refuse vehicles
- Cement trucks
- Servo control protection
- Logging equipment

The Parker Filtration 15P/30P Series High Pressure Filters.

These application examples have one thing in common...the need for clean hydraulic fluid.

Modern high pressure hydraulic systems are demanding. Better controls and long component life are expected. To deliver the high standards of performance, hydraulic components are built with tighter tolerances which increases their sensitivity to contamination.



That's where Parker pressure filters come into play. They filter out ingressed contamination before it jams a valve or scores a cylinder. They block pump generated debris before it gets to servo or proportional valves. Parker pressure filters are a key ingredient in meeting today's system demands.

Put your hydraulic systems in the care of Parker Filtration. We are committed to designing and building the best filters available to industry.

Specification

Pressure ratings:

Maximum allowable operating pressure 207 bar.
Filter housing pressure pulse fatigue tested: 138 bar.

Connections:

Inlet and outlet connections are threaded.

Connection style	Model	
BSPF(G)	15P	30P
ISO 6149	3/4"	1"
	M27	M33

Filter housing:

Head material extruded aluminium (anodised 6061-T6).
Bowl material impacted aluminium (anodised 6061-T6).

Seal material:

Nitrile or Fluoroelastomer.

Operating temperature range:

-20°C to +100°C.

Bypass valve:

Opening pressure 3.5 bar.

Filter element:

Degree of filtration:

Determined by multipass-test according to ISO 16889.

Flow fatigue characteristics:

Filter media is supported so that the optimal fatigue life is achieved (ISO 3724).

Microglass III:

Supported with epoxy coated metal wire mesh, end cap material reinforced composite and metal inner core. Collapse rating 24 bar (ISO 2941).

High collapse elements:

High collapse elements available. For details please contact Parker Filtration.

Indicator options:

Indicating differential pressure: 2.5 ± 0.3 bar.

- visual M3.
 - electrical T1.
 - electronic F1 (PNP).
 - electronic F2 (NPN).
- For indicator details see catalogue section 6.

Weights (kg):

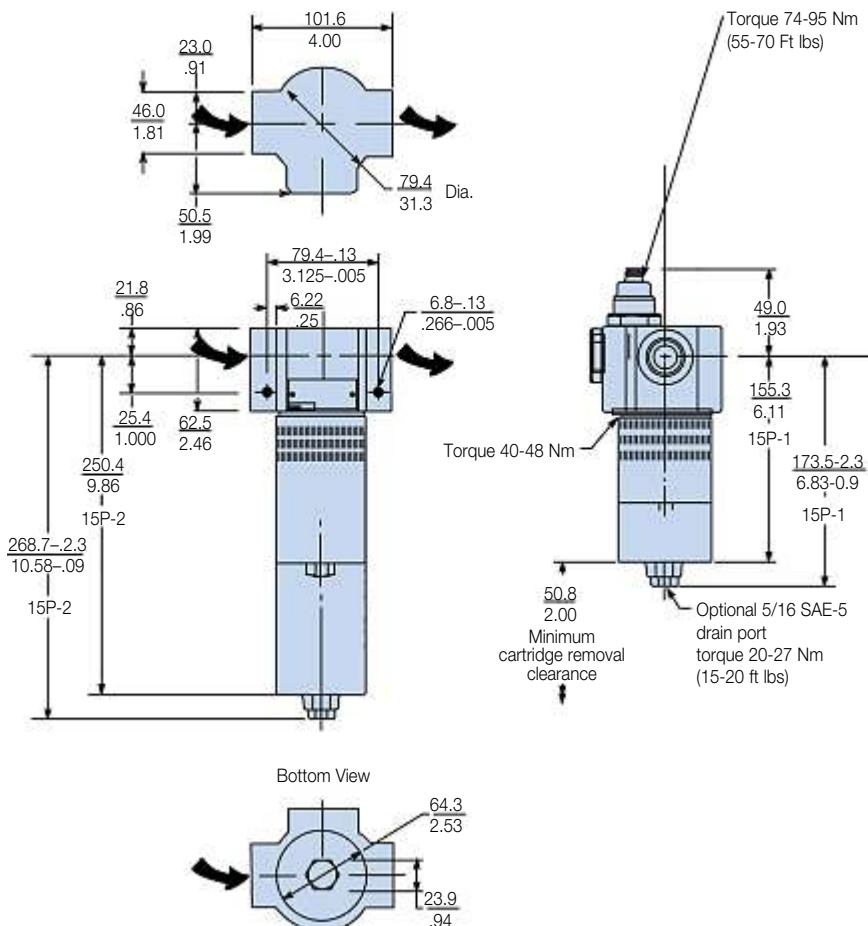
Model	Length 1	Length 2
15P	1.6	2.1
30P	2.9	3.9

Fluid compatibility:

Suitable for use with mineral and vegetable oils, and some synthetic oils. For other fluids, please consult Parker Filtration.

Installation Details

15P Series

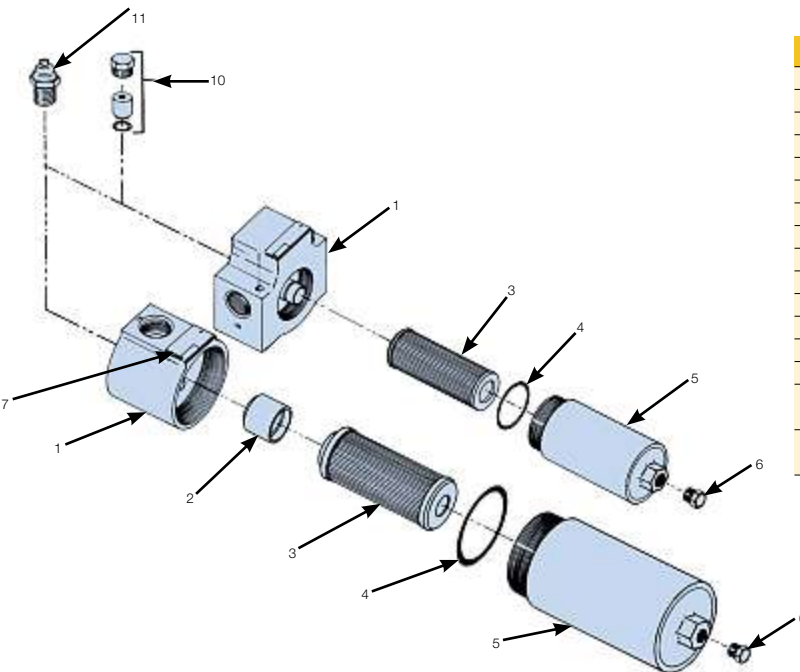
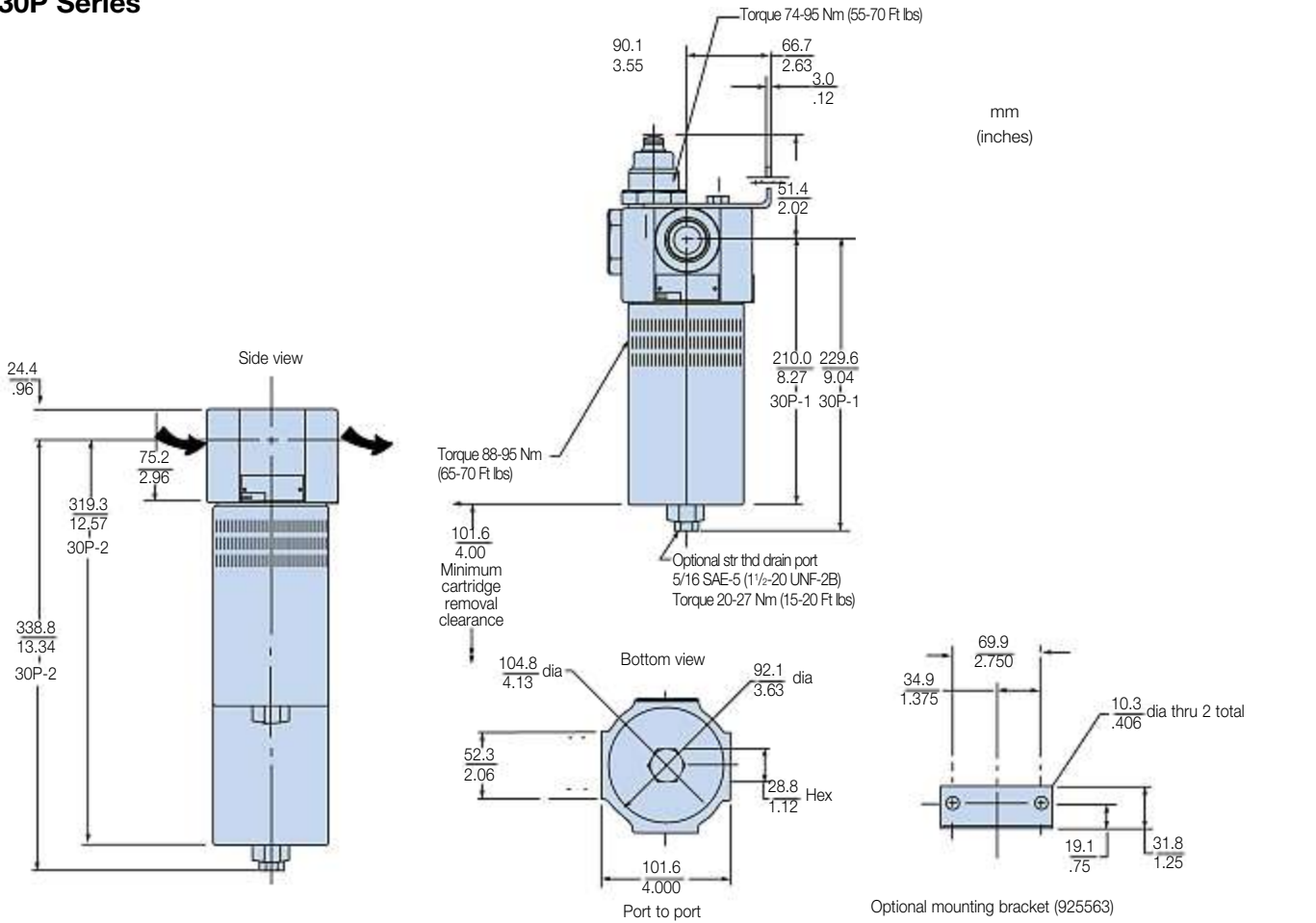


High Pressure Filters

15P/30P Series

Installation Details (cont.)

30P Series



Index	Description	15P	30P
1	Head		
2	Bypass assembly		
3	Element	See chart in product configurator	
4	Bowl O-ring – buna	N92138	N92151
	Bowl O-ring – fluor elastomer	V92138	V92151
5	Bowl		
6	Drain plug – c/w buna seal		
	Drain plug – c/w Fluoroelastomer seal		
7	Nameplate		
10	Blank indicator kit		
11	Indicators		
	M3 – Visual auto reset indicator	FMUM3KVAU14M	
	T1 – Electrical indicator	FMUT1KVAU14M	
	F1 – Electronic indicator PNP with 4 LED	FMUF1KVAU14M	
	F2 – Electronic indicator NPN with 4 LED	FMUF2KVAU14M	

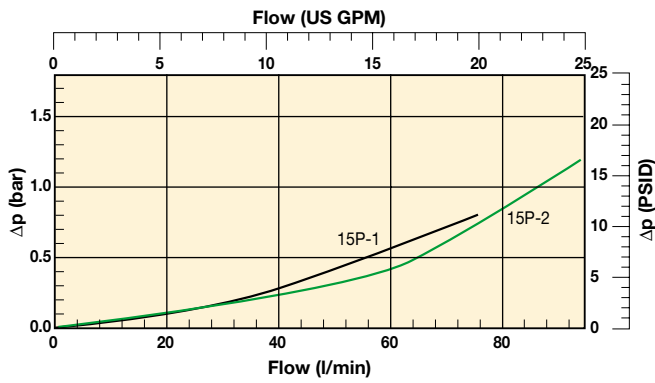
Pressure Drop Curves

The recommended level of the initial pressure drop is max. 1.2 bar.

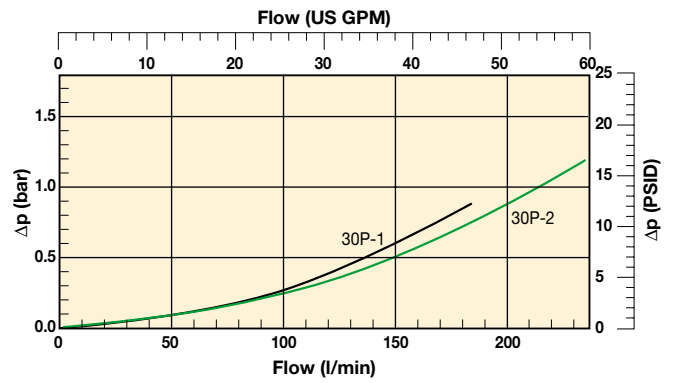
If the medium used has a viscosity different from 30 cSt, pressure drop over the filter can be estimated as follows:

$$\Delta p = (\Delta p_{30} \times \text{viscosity of medium used}) / 30 \text{ cSt.}$$

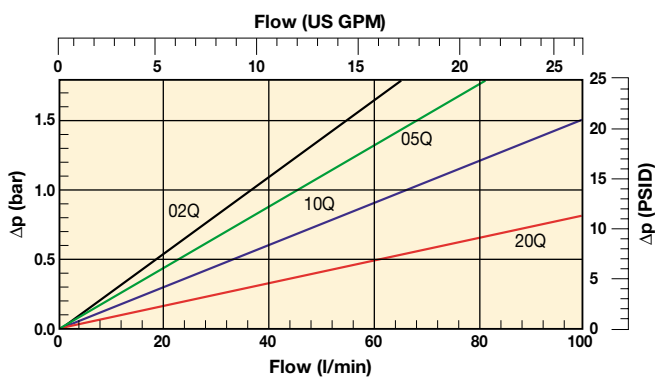
15P Empty Housing



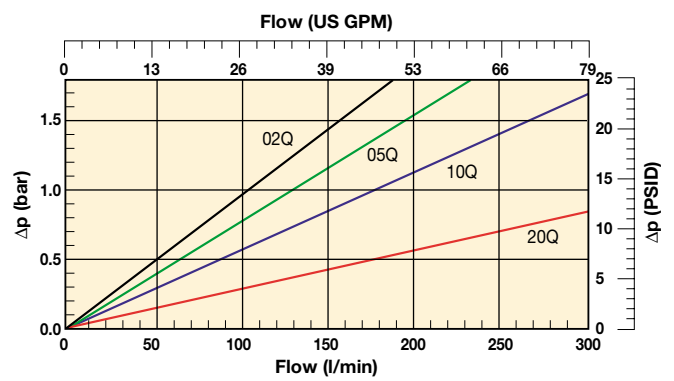
30P Empty Housing



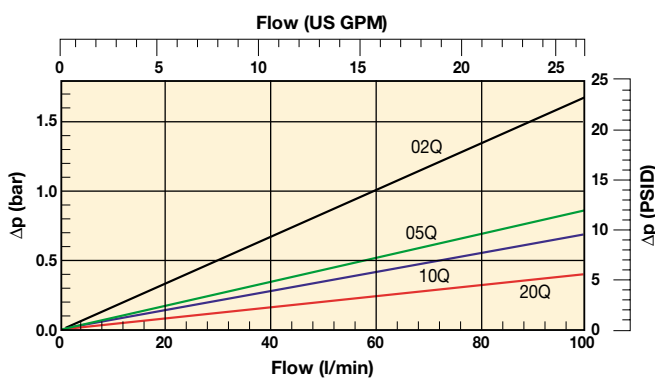
15P-1 Elements



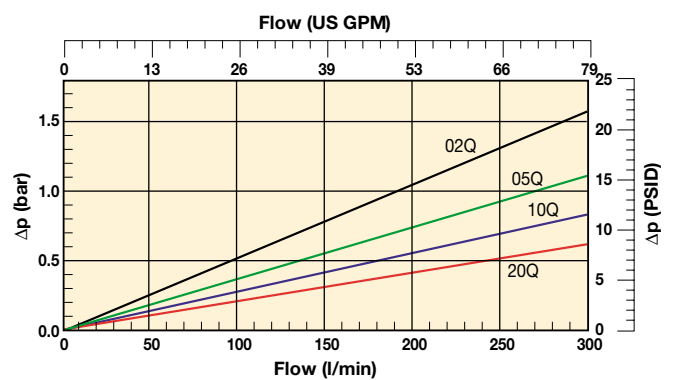
30P-1 Elements



15P-2 Elements



30P-2 Elements



15P/30P Series

Ordering Information

Standard products table

Part number	Supersedes	Flow (l/min)	Model number	Element length	Media rating (µ)	Seals	Indicator	Bypass settings	Ports	Replacement elements
15P110QBM3KG121	15P-1-10Q-M2-50-B2B2-1	45	15P	Length 1	10	Nitrile	Visual	3.5 bar	G ³ / ₄ "	939102Q
15P110QBT1KG121	15P-1-10Q-TW3-50-B2B2-1	45	15P	Length 1	10	Nitrile	Electrical	3.5 bar	G ³ / ₄ "	939102Q
15P210QBM3KG121	15P-2-10Q-M2-50-B2B2-1	70	15P	Length 2	10	Nitrile	Visual	3.5 bar	G ³ / ₄ "	939106Q
15P210QBT1KG121	15P-2-10Q-TW3-50-B2B2-1	70	15P	Length 2	10	Nitrile	Electrical	3.5 bar	G ³ / ₄ "	939106Q
30P110QBM3KG161	30P-1-10Q-M2-50-C2C2-1	120	30P	Length 1	10	Nitrile	Visual	3.5 bar	G1"	939110Q
30P110QBT1KG161	30P-1-10Q-TW3-50-C2C2-1	120	30P	Length 1	10	Nitrile	Electrical	3.5 bar	G1"	939110Q
30P210QBM3KG161	30P-2-10Q-M2-50-C2C2-1	170	30P	Length 2	10	Nitrile	Visual	3.5 bar	G1"	939114Q
30P210QBT1KG161	30P-2-10Q-TW3-50-C2C2-1	170	30P	Length 2	10	Nitrile	Electrical	3.5 bar	G1"	939114Q

Note: Filter assemblies ordered from the product configurator below are on extended lead times. Where possible, please make your selection from the table above.

Note 1: Part numbers featured with bold highlighted codes will ensure a 'standard' product selection.

Note 2: Alternate displayed part number selection will require you to contact Parker Filtration for availability.

Product configurator

Box 1	Box 2	Box 3	Box 4	Box 5	Box 6	Box 7	Box 8
15P	1	10Q	B	M3	K	G12	1

Box 1

Code	
Model	Code
High pressure filter, T-port	15P
High pressure filter, T-port	30P

Highlights Key (Denotes part number availability)

123	Item is standard
123	Item is standard green option
123	Item is semi standard
123	Item is non standard

Note: Standard items are in stock, semi standard items are available within four weeks

Box 2

Filter type	
Length	Code
Length 1	1
Length 2	2

Box 3

Degree of filtration			
Element media	Glass fibre		
	Media code		
Microglass III element	02Q	05Q	10Q 20Q

Box 4

Seal type	
Seal material	Code
Nitrile	B
Fluoroelastomer	V

Box 5

Indicator	
	Code
Plugged with steel plug	P
Visual indicator	M3
Electrical indicator	T1
No indicator port	N
Electronic 4 LED, PNP, N.O.	F1
Electronic 4 LED, NPN, N.O.	F2
Electronic 4 LED, PNP, N.C.	F3
Electronic 4 LED, NPN, N.C.	F4

Box 6

Bypass and indicator settings		
Bypass valve	Indicator	Code
3.5 bar	2.5 bar	K

When filter includes a bypass valve but not an indicator, code denotes bypass setting.

Box 7

Filter connection	
Connections	Code
15P: Thread G ³ / ₄	G12
Thread M27, ISO 6149	M27
30P: Thread G 1	G16
Thread M33, ISO 6149	M33

Box 8

Options	
Options	Code
Standard	1
Drain port on bowl	4

Replacement elements with nitrile seals				
Media	15P-1	15P-2	30P-1	30P-2
02Q	939100Q	939104Q	939108Q	939112Q
05Q	939101Q	939105Q	939109Q	939113Q
10Q	939102Q	939106Q	939110Q	939114Q
20Q	939103Q	939107Q	939111Q	939115Q

Nominal flow (l/min) at viscosity 30 cSt

Filter model	02Q	05Q	10Q	20Q
15P-1	25	30	45	70
15P-2	40	60	70	90
30P-1	70	90	120	170
30P-2	120	150	170	200

Degree of filtration						Code	
Average filtration beta ratio β (ISO 16889) / particle size µm [c]							
βx(c)=2	βx(c)=10	βx(c)=75	βx(c)=100	βx(c)=200	βx(c)=1000	Disposable Microglass III	
% efficiency, based on the above beta ratio (βx)							02Q
50.0%	90.0%	98.7%	99.0%	99.5%	99.9%		
N/A	N/A	N/A	N/A	N/A	4.5	05Q	
N/A	N/A	4.5	5	6	7		
N/A	6	8.5	9	10	12		
6	11	17	18	20	22	20Q	