



aerospace
climate control
electromechanical
filtration
fluid & gas handling
hydraulics
pneumatics
process control
sealing & shielding



Hydraulic Hose, Fittings and Equipment

Medium Pressure



ENGINEERING YOUR SUCCESS.

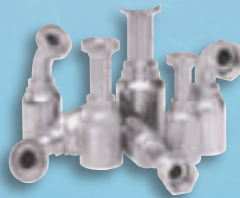
Medium Pressure Hose and Fittings

– the perfect range for the more demanding market requirements



The medium pressure hose range contains the new *Elite No-Skive* compact hydraulic hoses exceeding ISO and EN specifications, and the classical *No-Skive* hydraulic hoses according to ISO, EN and SAE specifications. This hose range is complemented by a full selection of compatible *No-Skive* fittings in steel and stainless steel.

- ▶ Extended range of working temperatures:
Low (down to -50 °C) and
High (up to +150 °C)
- ▶ Selected hoses feature nitrile inner tubes suitable for mineral and bio-degradable oils
- ▶ Full range of fluid compatibility; oil, water, phosphate ester etc.
- ▶ Using high quality compounds allows thin covers – less weight – long service life still assured
- ▶ High flexibility for easier installation and increased service life
- ▶ Small bend radii and light weight for applications where space and weight are determining factors
- ▶ High abrasion resistance hose covers superior to ISO 6945 requirements, extending service life
- ▶ High ozone-resistant cover compounds extending weathering / aging resistance
- ▶ Parkrimp machines, portable or bench mounted for easy assembly operation – hose assemblies meet CE directives
- ▶ Complete *No-Skive* fitting technology across the full range of medium pressure hoses providing simpler, quicker and safer hose assembly

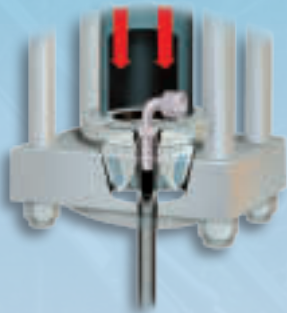


Parkrimp® *No-Skive*
The system for fast and leak-free assemblies

- No skiving tool needed
- No need to remove the cover
- Crimps one piece fittings
- Parkalign positions the fittings in the die perfectly every time
- Quick and easy: no gauges to set on the machine
- Portable machines for field repair
- Meets EN safety regulations



Parkalign®
 Parker's exclusive
 Parkalign® positions
 the fitting in the dies
 perfectly every time.



**Parker's colour-coded
 die sets**

No loose parts to mismatch
 or misplace – die set
 segments linked together.
 Die sets provide 360° evenly
 applied crimping forces for
 an ideal crimp result.

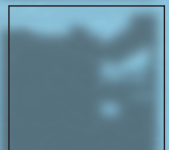
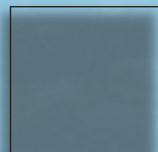
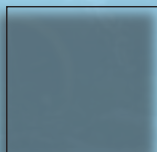


The perfect match

The complete system from
 one source. *No-Skive* hose,
No-Skive fitting and crimping
 machine with world-wide
 guarantee and availability.



The definitive hose range for all medium pressure applications



Index

301SN	– <i>No-Skive</i> - EN 853-2SN Hose	Ca-1
302	– WORLDWIDE <i>No-Skive</i> Hose	Ca-2
304	– <i>No-Skive</i> - 2 Wire Phosphate Ester Resistant Hose . .	Ca-3
402	– <i>Elite</i> Compact Pilot Line Hose	Ca-4
421RH	– <i>No-Skive</i> - Fire-retardant Cover	Ca-5
421SN	– <i>No-Skive</i> - EN 853-1SN Hose	Ca-6
421WC	– <i>No-Skive</i> - SAE 100 R1 AT Wire Covered Hose	Ca-7
422	– WORLDWIDE <i>No-Skive</i> Hose	Ca-8
424	– <i>No-Skive</i> - 1 Wire Phosphate Ester Resistant Hose . .	Ca-9
426	– <i>No-Skive</i> - High Temperature 1 Wire Hose	Ca-10
436	– <i>No-Skive</i> - High Temperature 2 Wire Hose	Ca-11
441	– <i>No-Skive</i> - Compact 1 Wire Hi-pac Construction Hose	Ca-12
441RH	– <i>No-Skive</i> - Compact - Fire-retardant Cover	Ca-13
451TC	– <i>No-Skive</i> - SAE 100 R17 TOUGH COVER Hose	Ca-14
461LT	– <i>Elite</i> Compact Low Temperature EN 857-2SC Hose.	Ca-15
462	– <i>Elite</i> Compact EN 857-2SC Hose	Ca-16
462ST	– <i>Elite</i> Compact EN 857-2SC SUPER TOUGH Hose	Ca-17
463	– <i>No-Skive</i> Compact 2 Wire Hot Water Cleaning Hose	Ca-18
471TC	– <i>No-Skive</i> Compact EN 857-2SC TOUGH COVER Hose . .	Ca-19
472TC	– <i>No-Skive</i> Compact EN 857-2SC TOUGH COVER Hose . .	Ca-19
492	– <i>Elite</i> Compact EN 857-1SC Hose	Ca-20
492ST	– <i>Elite</i> Compact EN 857-1SC SUPER TOUGH Hose	Ca-21
493	– <i>No-Skive</i> Compact 1 Wire Hot Water Cleaning Hose	Ca-22
692	– <i>Elite</i> Compact Hose	Ca-23
692Twin	– <i>Elite</i> Compact Vulcanised Twin Hose	Ca-24
811	– <i>No-Skive</i> Suction and Return Line Hose	Ca-25
881	– <i>No-Skive</i> Suction and Return Line Hose	Ca-26

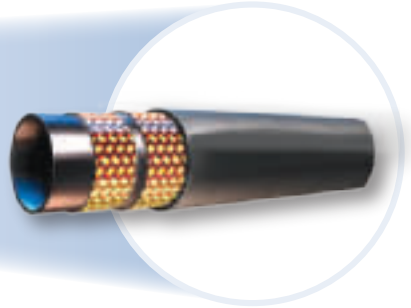
Crimp Fittings: 46 and 48 Series Cb-1–Cb-72

301SN – No-Skive Hose

EN 853 2SN – ISO 1436 Type 2

Main Features

- *No-Skive* thin cover hose construction
- Nitrile (NBR) inner tube
– extended fluid compatibility
- Suitable with 48 series fittings
- Type approved with DNV, GL, LR, RINA



Primary Applications/Restrictions

General medium pressure hydraulic applications

Applicable Specifications

EN 853 2SN – ISO 1436 Type 2 – SAE 100 R2 AT

Hose Construction

- Tube:** Nitrile (NBR)
Reinforcement: Two high tensile steel wire braids
Cover: Synthetic rubber

Recommended Fluids

Petroleum and water-glycol based fluids, lubricating oils, air and water. For air above 1,7 MPa, the hose cover must be pin-pricked.

Consult the chemical compatibility section on page Ab-16 for more detailed information.

Temperature Range

-40 °C up to +100 °C

Exception: Air max. +70 °C
 Water max. +85 °C

Fittings Series



XXXX-XX-XX Part Number	Hose I.D.				Hose O.D. mm	Pressure rating				min. bend radius mm	Weight kg/m
	DN	Inch	Size	mm		max. dynamic working pressure		min. burst pressure			
						MPa	psi	MPa	psi		
301SN-4	6	1/4	-4	6,3	15,0	40,0	5800	160,0	23200	100	0,39
301SN-5	8	5/16	-5	7,9	16,6	35,0	5075	140,0	20300	115	0,42
301SN-6	10	3/8	-6	9,5	19,0	33,0	4775	132,0	19100	130	0,55
301SN-8	12	1/2	-8	12,7	22,2	27,5	4000	110,0	16000	180	0,67
301SN-10	16	5/8	-10	15,9	25,4	25,0	3600	100,0	14500	200	0,77
301SN-12	20	3/4	-12	19,1	29,3	21,5	3100	86,0	12400	240	1,00
301SN-16	25	1	-16	25,4	38,1	16,5	2400	66,0	9600	300	1,49
301SN-20	32	1-1/4	-20	31,8	47,5	12,5	1800	50,0	7200	420	1,73
301SN-24	40	1-1/2	-24	38,1	55,0	9,0	1300	36,0	5200	500	2,14
301SN-32	50	2	-32	50,8	67,0	8,0	1150	32,0	4600	630	2,96

The combination of high temperature and high pressure could reduce the hose life.

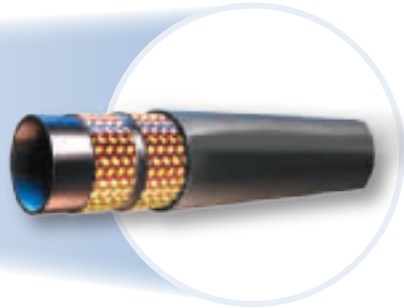
Information about standard products or non-standard products can be found in the current price list. Dimensions shown may be changed at any time without prior notice.

302 – WORLDWIDE *No-Skive* Hose

EN 853 2SN – ISO S 1436

Main Features

- Meets ISO 1436
- Worldwide availability
- Worldwide consistent appearance, partnumber and functionality
- *No-Skive* thin cover hose construction
- Extended fluid compatibility (including biodegradable oils)



Primary Applications/Restrictions

General medium pressure hydraulic applications

Applicable Specifications

EN 853 2SN – ISO S 1436 – SAE 100 R2 AT

Hose Construction

- Tube:** Nitrile (NBR)
Reinforcement: Two high tensile steel wire braids
Cover: Synthetic rubber

Recommended Fluids

Petroleum and water-glycol based fluids, lubricating oils, air and water. For air above 1,7 MPa, the hose cover must be pin-pricked. Consult the chemical compatibility section on page Ab-16 in catalogue 4400 for more detailed information.

Consult the chemical compatibility section on page Ab-16 for more detailed information.

Temperature Range

-40 °C up to +100 °C

Exception: Air.....max. +70 °C
 Water.....max. +85 °C

Fittings Series

48

Part Number	Hose I.D.				Hose O.D.				Pressure rating				min. bend radius mm	Weight kg/m
	DN	Inch	Size	mm	mm	MPa	psi	MPa	psi	max. dynamic working pressure	min. burst pressure	max. dynamic working pressure		
302-4	6	1/4	-4	6,3	15,0	40,0	5800	160,0	23200	100	0,39			
302-5	8	5/16	-5	7,9	16,6	35,0	5075	140,0	20300	115	0,42			
302-6	10	3/8	-6	9,5	19,0	33,0	4775	132,0	19100	130	0,55			
302-8	12	1/2	-8	12,7	22,2	27,5	4000	110,0	16000	180	0,67			
302-10	16	5/8	-10	15,9	25,4	25,0	3600	100,0	14500	200	0,77			
302-12	20	3/4	-12	19,1	29,3	21,5	3100	86,0	12400	240	1,00			
302-16	25	1	-16	25,4	38,1	16,5	2400	66,0	9600	300	1,49			
302-20	32	1-1/4	-20	31,8	47,5	12,5	1800	50,0	7200	420	1,73			
302-24	40	1-1/2	-24	38,1	55,0	9,0	1300	36,0	5200	500	2,14			
302-32	50	2	-32	50,8	67,0	8,0	1150	32,0	4600	630	2,96			

The combination of high temperature and high pressure could reduce the hose life.

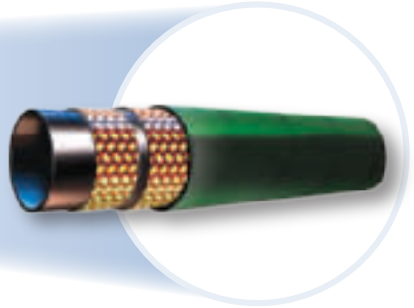
Information about standard products or non-standard products can be found in the current price list. Dimensions shown may be changed at any time without prior notice.

304 – No-Skive Hose

Phosphate ester resistant hose

Main Features

- *No-Skive* thin cover hose construction
- EPDM hose resistant to phosphate ester fluids
- SAE 100R2 pressure rating



Primary Applications/Restrictions

Aerospace, foundries, steel mills:
Medium pressure hydraulic applications with phosphate ester fluids
Do not use with petroleum based fluids

Applicable Specifications

Parker specification

Hose Construction

- Tube:** EPDM synthetic rubber
Reinforcement: Two high tensile steel wire braids
Cover: Green EPDM synthetic rubber

Recommended Fluids

Phosphate ester base hydraulic fluids, water-glycol based fluids, air and water.
Consult the chemical compatibility section on page Ab-16 for more detailed information.

Temperature Range

-40 °C up to +80 °C
Exception: Air max. +70 °C
Water and water glycol fluids .. max. +85 °C

Fittings Series

Parker 43 series*
Parker 48 series for sizes -20 to -32



Part Number XXXX-XX-XX	Hose I.D.				Hose O.D.		Pressure rating				min. bend radius mm	Weight kg/m
	DN	Inch	Size	mm	mm	max. dynamic working pressure		min. burst pressure				
						MPa	psi	MPa	psi			
304-4	6	1/4	-4	6,3	15,0	34,5	5000	138,0	20000	100	0,39	
304-6	10	3/8	-6	9,5	19,0	27,5	4000	110,0	16000	130	0,55	
304-8	12	1/2	-8	12,7	22,0	24,0	3500	96,0	14000	180	0,67	
304-12	20	3/4	-12	19,1	30,0	15,5	2250	62,0	9000	240	1,00	
304-16	25	1	-16	25,4	38,0	13,8	2000	55,0	8000	300	1,49	
304-20	32	1-1/4	-20	31,8	48,0	11,2	1625	45,0	6500	420	1,73	
304-24	40	1-1/2	-24	38,1	55,0	8,6	1250	35,0	5000	500	2,14	
304-32	50	2	-32	50,8	68,0	7,8	1125	31,0	4500	630	2,96	

The combination of high temperature and high pressure could reduce the hose life.
*Parker fitting series 43 is compatible with this hose type in all sizes and is available on request only.

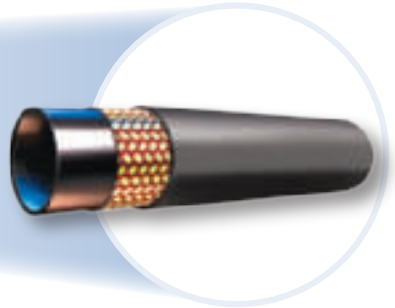
Information about standard products or non-standard products can be found in the current price list.
Dimensions shown may be changed at any time without prior notice.

402 – Elite Compact Hose

Pilot line applications

Main Features

- *No-Skive* thin cover Compact hose
- Constant pressure hose 10,0 MPa



Primary Applications/Restrictions

Mobile hydraulic: Pilot lines

Hose Construction

- Tube:** Nitrile (NBR)
Reinforcement: One high tensile steel wire braid
Cover: Synthetic rubber

Recommended Fluids

Petroleum and water-glycol based fluids, lubricating oils, air and water. For air above 1,7 MPa, the hose cover must be pin-pricked.

Consult the chemical compatibility section on page Ab-16 for more detailed information.

Temperature Range

-40 °C up to +100 °C

Exception: Air max. +70 °C
 Water max. +85 °C

Fittings Series

Available as complete hose assemblies



XXXX-XX-XX Part Number	Hose I.D.					Pressure rating				min. bend radius mm	Weight kg/m
	Hose O.D.					max. dynamic working pressure		min. burst pressure			
	DN	Inch	Size	mm	mm	MPa	psi	MPa	psi		
402-4	6	1/4	-4	6,3	11,6	10,0	1450	40,0	5800	50	0,15
402-5	8	5/16	-5	7,9	13,2	10,0	1450	40,0	5800	60	0,18
402-6	10	3/8	-6	9,5	14,8	10,0	1450	40,0	5800	65	0,21
402-8	12	1/2	-8	12,7	18,6	10,0	1450	40,0	5800	75	0,29

The combination of high temperature and high pressure could reduce the hose life.

*Compatible with Parker 2 piece fittings for use with adjustable crimpers only (47 series nipple and 10049 series shell)

Information about standard products or non-standard products can be found in the current price list.
 Dimensions shown may be changed at any time without prior notice.

421RH – No-Skive Hose

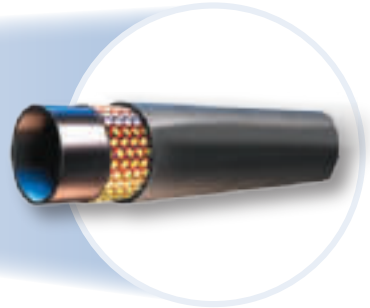
with fire-retardant cover

Main Features

- *No-Skive* thin cover hose construction
- Nitrile (NBR) inner tube
 - high chemical resistance
- Suitable with 48 series fittings
- Fire-retardant cover

Certifications

- German Standard: DIN 5510-2
- French Standard: NF F16-101/102 I2/F3
- British Standard: BS 6853 - Table 4



Primary Applications

General medium-pressure hydraulic and pneumatic systems as well as water and oil cooling circuits

Applicable Specifications

EN 853 1SN – ISO 1436 Typ 1 – SAE100R1AT

Hose Construction

- Tube:** Nitrile (NBR)
Reinforcement: One high tensile steel wire braid
Cover: Fire retardant synthetic rubber

Recommended Fluids

Petroleum and water-glycol based fluids, lubricating oils, air and water. For air and gas above 1,7 MPa, the hose cover must be pin-pricked. Consult the chemical compatibility section on page Ab-16 for more detailed information.

Temperature Range

-40 °C up to +100 °C

Exception: Air max. +70 °C
 Water max. +85 °C

Fitting Series

48

Part Number	Hose I.D.					Hose O.D.					Pressure rating				min. bend radius mm	Weight kg/m
	DN	Inch	Size	mm	mm	max. dynamic working pressure		min. burst pressure		mm	kg/m					
						MPa	psi	MPa	psi							
421RH-20	32	1.1/4	-20	31,8	44,8	6,3	900	25,0	3600	420	1,19					
421RH-24	40	1.1/2	-24	38,1	51,1	5,0	725	20,0	2900	500	1,49					
421RH-32	50	2	-32	50,8	64,7	4,0	575	16,0	2300	630	2,23					

The combination of high temperature and high pressure could reduce the hose life.

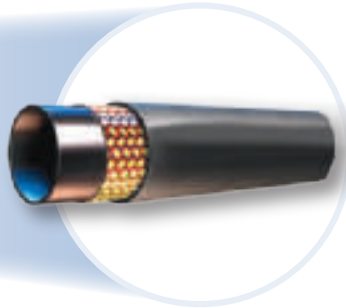
Information about standard products or non-standard products can be found in the current price list. Dimensions shown may be changed at any time without prior notice.

421SN – *No-Skive* Hose

EN 853 1SN – ISO 1436 Type 1

Main Features

- *No-Skive* thin cover hose construction
- Nitrile (NBR) inner tube
 - extended fluid compatibility
- Type approved with DNV, GL, LR, RINA



Primary Applications/Restrictions

General medium pressure hydraulic applications

Applicable Specifications

EN 853 1SN – ISO 1436 Type 1 – SAE100R1AT

Hose Construction

Tube: Nitrile (NBR)
Reinforcement: One high tensile steel wire braid
Cover: Synthetic rubber

Recommended Fluids

Petroleum and water-glycol based fluids, lubricating oils, air and water. For air above 1,7 MPa, the hose cover must be pin-pricked.

Consult the chemical compatibility section on page Ab-16 for more detailed information.

Temperature Range

-40 °C up to +100 °C

Exception: Air.....max. +70 °C
 Watermax. +85 °C

Fittings Series

48

Part Number XXXX-XX-XX	Hose I.D.					Pressure rating				min. bend radius mm	Weight kg/m
	DN	Inch	Size	mm	mm	max. dynamic working pressure		min. burst pressure			
						MPa	psi	MPa	psi		
421SN-4	6	1/4	-4	6,3	13,4	22,5	3250	90,0	13000	100	0,24
421SN-5	8	5/16	-5	7,9	15,0	21,5	3125	86,0	12500	115	0,27
421SN-6	10	3/8	-6	9,5	17,4	18,0	2600	72,0	10400	130	0,34
421SN-8	12	1/2	-8	12,7	20,7	16,0	2325	64,0	9300	180	0,43
421SN-10	16	5/8	-10	15,9	23,9	13,0	1875	52,0	7500	200	0,49
421SN-12	20	3/4	-12	19,1	27,8	10,5	1525	42,0	6100	240	0,63
421SN-16	25	1	-16	25,4	35,8	8,8	1275	35,0	5100	300	0,94
421SN-20	32	1.1/4	-20	31,8	44,8	6,3	900	25,0	3600	420	1,19
421SN-24	40	1.1/2	-24	38,1	51,1	5,0	725	20,0	2900	500	1,49
421SN-32	50	2	-32	50,8	64,7	4,0	575	16,0	2300	630	2,23

The combination of high temperature and high pressure could reduce the hose life.

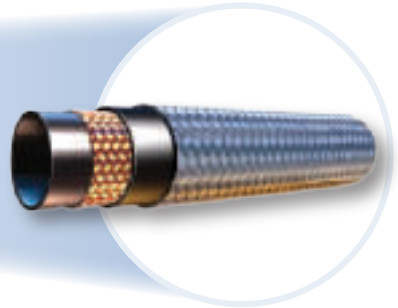
Information about standard products or non-standard products can be found in the current price list.
 Dimensions shown may be changed at any time without prior notice.

421WC – No-Skive Hose

Galvanised steel wire cover

Main Features

- *No-Skive* thin cover hose construction
- Metal and glass hot spots resistance



Primary Applications/Restrictions

Machine tool and glass industry

Applicable Specifications

SAE 100 R1AT

Hose Construction

- Tube:** Synthetic rubber
Reinforcement: One high tensile steel wire braid
Cover: Galvanized steel wire

Recommended Fluids

Petroleum and water-glycol based fluids, lubricating oils, air and water.

Consult the chemical compatibility section on page Ab-16 for more detailed information.

Temperature Range

-40 °C up to +125 °C

Exception: Air max. +70 °C
 Water max. +85 °C

Fittings Series

Available as complete hose assemblies*



Part Number	Hose I.D.				Hose O.D. mm	Pressure rating				min. bend radius mm	Weight kg/m
	DN	Inch	Size	mm		max. dynamic working pressure		min. burst pressure			
						MPa	psi	MPa	psi		
421WC-4	6	1/4	-4	6,3	15,0	19,0	2750	76,0	11000	100	0,38
421WC-6	10	3/8	-6	9,5	19,0	15,5	2250	62,0	9000	130	0,54
421WC-8	12	1/2	-8	12,7	22,0	13,8	2000	55,0	8000	180	0,67
421WC-12	20	3/4	-12	19,1	29,0	8,6	1250	35,0	5000	240	0,95
421WC-16	25	1	-16	25,4	37,0	6,9	1000	28,0	4000	300	1,31

The combination of high temperature and high pressure could reduce the hose life.

*Parker 43 series fittings are compatible with this hose and are available only on request

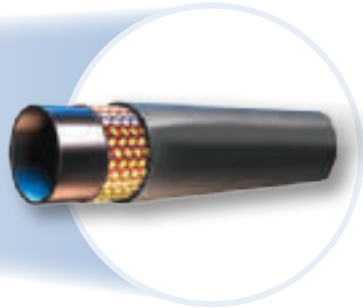
Information about standard products or non-standard products can be found in the current price list. Dimensions shown may be changed at any time without prior notice.

422 – WORLDWIDE *No-Skive* Hose

ISO 1436 1SN

Main Features

- Meets ISO 1436
- Worldwide availability
- Worldwide consistent appearance, partnumber and functionality
- *No-Skive* thin cover hose construction
- Nitrile inner tube for greater fluid compatibility and bio-oil resistance



Primary Applications/Restrictions

General medium pressure hydraulic applications

Applicable Specifications

ISO 1436 – EN 853 1SN – SAE 100 R1 AT

Hose Construction

- Tube:** Nitrile (NBR)
Reinforcement: One high tensile steel wire braid
Cover: Synthetic rubber

Recommended Fluids

Petroleum and water-glycol based fluids, lubricating oils, air and water. For air above 1,7 MPa, the hose cover must be pin-pricked.

Consult the chemical compatibility section in Catalogue 4400 on page Ab-16 for more detailed information.

Temperature Range

Exception: Air max. +70 °C
 Water max. +85 °C

Fittings Series



XXXX-XX-XX Part Number	Hose I.D.				Hose O.D. mm	Pressure rating				min. bend radius mm	Weight kg/m
	DN	Inch	Size	mm		max. dynamic working pressure MPa	psi	min. burst pressure MPa	psi		
422-4	6	1/4	-4	6,3	13,4	22,5	3250	90,0	13000	100	0,24
422-5	8	5/16	-5	7,9	15,0	21,5	3125	86,0	12500	115	0,27
422-6	10	3/8	-6	9,5	17,4	18,0	2600	72,0	10400	130	0,34
422-8	12	1/2	-8	12,7	20,7	16,0	2325	64,0	9300	180	0,43
422-10	16	5/8	-10	15,9	23,9	13,0	1875	52,0	7500	200	0,49
422-12	20	3/4	-12	19,0	27,8	10,5	1525	42,0	6100	240	0,63
422-16	25	1	-16	25,4	35,8	8,8	1275	35,0	5100	300	0,94
422-20	32	1.1/4	-20	31,8	44,8	6,3	900	25,0	3600	420	1,19
422-24	40	1.1/2	-24	38,1	51,1	5,0	725	20,0	2 900	500	1,49
422-32	50	2	-32	50,8	64,7	4,0	575	16,0	2 300	630	2,23

The combination of high temperature and high pressure could reduce the hose life.

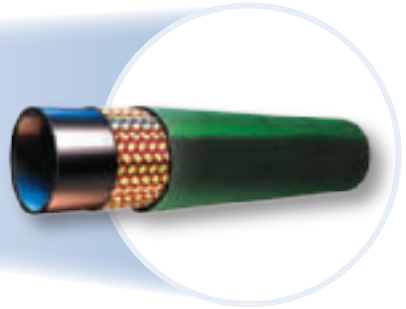
Information about standard products or non-standard products can be found in the current price list. Dimensions shown may be changed at any time without prior notice.

424 – No-Skive Hose

Phosphate ester resistant hose

Main Features

- *No-Skive* thin cover hose construction
- SAE 100R1 pressure rating



Primary Applications/Restrictions

Aerospace, foundries, steel mills:
Medium pressure hydraulic applications with phosphate ester fluids
Do not use with petroleum based fluids

Applicable Specifications

Parker specification

Hose Construction

- Tube:** EPDM synthetic rubber
Reinforcement: One high tensile steel wire braid
Cover: Green EPDM synthetic rubber

Recommended Fluids

Phosphate ester based hydraulic fluids, water-glycol based fluids, air and water.
Consult the chemical compatibility section on page Ab-16 for more detailed information.

Temperature Range

-40 °C up to +80 °C

Exception: Air max. +70 °C
Water and water glycol fluids... max. +85 °C

Fittings Series

Available as complete hose assemblies*



Part Number XXXX-XX-XX	Hose I.D.				Hose O.D.		Pressure rating				min. bend radius mm	Weight kg/m
	DN	Inch	Size	mm	mm	max. dynamic working pressure		min. burst pressure				
						MPa	psi	MPa	psi			
424-16	25	1	-16	25,4	36,0	6,9	1000	28,0	4000	300	0,94	
424-20	32	1-1/4	-20	31,8	45,0	4,3	625	17,0	2500	420	1,19	
424-24	40	1-1/2	-24	38,1	51,0	3,5	500	14,0	2000	500	1,49	
424-32	50	2	-32	50,8	64,6	2,4	375	10,0	1500	630	2,23	

The combination of high temperature and high pressure could reduce the hose life.
*Parker 43 series fittings are compatible with this hose and are available only on request

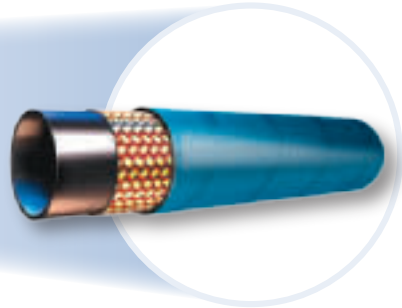
Information about standard products or non-standard products can be found in the current price list.
Dimensions shown may be changed at any time without prior notice.

426 – No-Skive Hose

SAE 100 R1AT high temperature

Main Features

- *No-Skive* thin cover hose construction
- SAE 100R1 pressure rating



Primary Applications/Restrictions

Medium pressure hydraulic applications at high temperature

Applicable Specifications

SAE 100 R1AT

Hose Construction

- Tube:** PKR synthetic rubber
Reinforcement: One high tensile steel wire braid
Cover: Blue synthetic rubber

Recommended Fluids

Petroleum hydraulic fluids, lubricating oils, water-glycol based fluids, air and water.

Consult the chemical compatibility section on page Ab-16 for more detailed information.

Temperature Range

-46 °C up to + 150 °C

Exception: Air max. +70 °C
 Water and water glycol fluids... max. +85 °C

Fittings Series

Parker 43 series*
 Parker 48 series for sizes -8 to -16



XXXX-XX-XX Part Number	Hose I.D.				Hose O.D.				Pressure rating				min. bend radius mm	Weight kg/m
	DN	Inch	Size		mm	mm	max. dynamic working pressure		min. burst pressure		mm			
			MPa	psi			MPa	psi						
426-4	6	1/4	-4	6,3	13,4	19,2	2750	77,0	11000	100	0,24			
426-6	10	3/8	-6	9,5	17,4	15,7	2250	63,0	9000	125	0,34			
426-8	12	1/2	-8	12,7	20,7	14,0	2000	56,0	8000	180	0,43			
426-10	16	5/8	-10	15,9	23,9	10,5	1500	42,0	6000	200	0,49			
426-12	20	3/4	-12	19,1	27,8	8,7	1250	35,0	5000	240	0,65			
426-16	25	1	-16	25,4	35,8	7,0	1000	28,0	4000	300	0,98			

The combination of high temperature and high pressure could reduce the hose life.
 *Parker fitting series 43 is compatible with this hose type in all sizes and is available on request only.

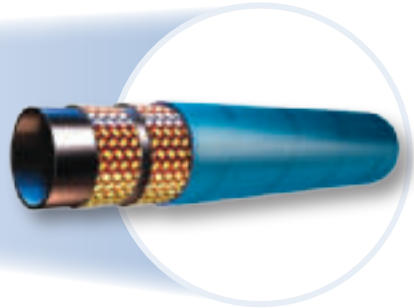
Information about standard products or non-standard products can be found in the current price list.
 Dimensions shown may be changed at any time without prior notice.

436 – No-Skive Compact Hose

SAE 100R16 high temperature

Main Features

- *No-Skive* thin cover hose construction
- Compact hose construction with tight bending radius



Primary Applications/Restrictions

Medium pressure hydraulic applications at high temperature

Applicable Specifications

SAE 100 R16

Hose Construction

- Tube:** PKR synthetic rubber
Reinforcement: Two high tensile steel wire braids
Cover: Blue synthetic rubber

Recommended Fluids

Petroleum hydraulic fluids, lubricating oils, water-glycol based fluids, air and water.

Consult the chemical compatibility section on page Ab-16 for more detailed information.

Temperature Range

-48 °C up to + 150 °C
 Exception: Air max. +70 °C
 Water and water glycol fluids... max. +85 °C

Fittings Series



Part Number XXXX-XX-XX	Hose I.D.				Hose O.D. mm	Pressure rating				min. bend radius mm	Weight kg/m
	DN	Inch	Size	mm		max. dynamic working pressure		min. burst pressure			
						MPa	psi	MPa	psi		
436-6-BLU-RL	10	3/8	-6	9,5	17,0	27,5	4000	110,0	16000	65	0,42
436-8-BLU-RL	12	1/2	-8	12,7	20,0	24,0	3500	96,0	14000	90	0,51
436-10-BLU-RL	16	5/8	-10	15,9	24,0	19,0	2750	76,0	11000	100	0,66
436-12-BLU-RL	20	3/4	-12	19,1	28,0	15,5	2250	62,0	9000	120	0,80
436-16-BLU-RL	25	1	-16	25,4	36,0	13,8	2000	55,0	8000	150	1,22

The combination of high temperature and high pressure could reduce the hose life.

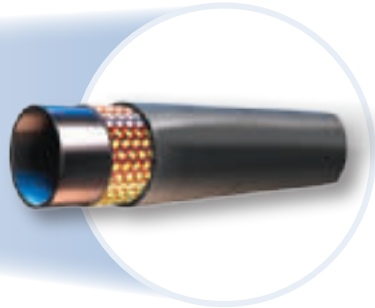
Information about standard products or non-standard products can be found in the current price list. Dimensions shown may be changed at any time without prior notice.

441 – No-Skive Hose

ISO 11237 Type R16 – SAE 100 R16

Main Features

- *No-Skive* hose construction
- One wire braid construction – two wire braid performance
- +125 °C working temperature
- Suitable with both 46 & 48 series fittings



Primary Applications/Restrictions

Many industrial and mobile applications, with typical usage seen on agricultural machines or in power steering circuits

Applicable Specifications

ISO 11237 Type R16 – SAE 100 R16

Hose Construction

Tube: Synthetic rubber
Reinforcement: One steel wire Hi-Pac construction
Cover: Synthetic rubber

Recommended Fluids

Petroleum and water-glycol based fluids, lubricating oils, air and water. For air above 1,7 MPa, the hose cover must be pin-pricked.

Consult the chemical compatibility section on page Ab-16 for more detailed information.

Temperature Range

-40 °C up to +125 °C

Exception: Airmax. +70 °C
 Watermax. +85 °C

Fittings Series



Part Number XXXX-XX-XX	Hose I.D.				Hose O.D. mm	Pressure rating				min. bend radius mm	Weight kg/m
	DN	Inch	Size	mm		max. dynamic working pressure		min. burst pressure			
						MPa	psi	MPa	psi		
441-4	6	1/4	-4	6,3	13,4	34,5	5000	138,0	20000	50	0,27
441-5	8	5/16	-5	7,9	15,0	29,3	4250	117,0	17000	55	0,32
441-6	10	3/8	-6	9,5	17,4	27,5	4000	110,0	16000	65	0,42
441-8	12	1/2	-8	12,7	20,7	24,0	3500	96,0	14000	90	0,50
441-10	16	5/8	-10	15,9	23,8	19,0	2750	76,0	11000	100	0,65
441-12	20	3/4	-12	19,1	27,8	15,5	2250	62,0	9000	120	0,80
441-16	25	1	-16	25,4	35,8	13,8	2000	55,0	8000	150	1,22

The combination of high temperature and high pressure could reduce the hose life.

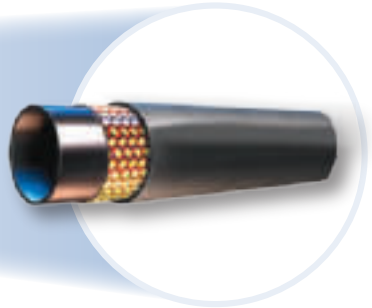
Information about standard products or non-standard products can be found in the current price list. Dimensions shown may be changed at any time without prior notice.

441RH – No-Skive Compact Hose

with fire-retardant cover

Main Features

- *No-Skive* hose construction
- One wire braid construction – two wire braid performance
- +125 °C working temperature
- Suitable with 46 & 48 series fittings
- Fire-retardant cover



Certifications

- German Standard: DIN 5510-2
- French Standard: NF F16-101/102 I2/F3
- British Standard: BS 6853 - Table 4

Primary Applications

General medium-pressure hydraulic and pneumatic systems as well as water and oil cooling circuits

Applicable Specifications

Parker specification; Working pressure to SAE 100 R2; Bend radius to SAE 100 R16

Hose Construction

- Tube:** Synthetic rubber
Reinforcement: One steel wire Hi-Pac construction
Cover: Fire retardant synthetic rubber

Recommended Fluids

Petroleum and water-glycol based fluids, lubricating oils, air and water. For air and gas above 1,7 MPa, the hose cover must be pin-pricked.

Consult the chemical compatibility section on page Ab-16 for more detailed information.

Temperature Range

-40 °C up to +125 °C
 Exception: Air max. +70 °C
 Water max. +85 °C

Fitting Series



Part Number	Hose I.D.					Pressure rating				min. bend radius mm	Weight kg/m
	DN	Inch	Size	mm	mm	max. dynamic working pressure		min. burst pressure			
						MPa	psi	MPa	psi		
441RH-4	6	1/4	-4	6,3	13,4	34,5	5000	138,0	20000	50	0,27
441RH-5	8	5/16	-5	7,9	15,0	29,3	4250	117,0	17000	55	0,32
441RH-6	10	3/8	-6	9,5	17,4	27,5	4000	110,0	16000	65	0,42
441RH-8	12	1/2	-8	12,7	20,7	24,0	3500	96,0	14000	90	0,50
441RH-10	16	5/8	-10	15,9	23,8	19,0	2750	76,0	11000	100	0,65
441RH-12	20	3/4	-12	19,1	27,8	15,5	2250	62,0	9000	120	0,80
441RH-16	25	1	-16	25,4	35,8	13,8	2000	55,0	8000	150	1,22

The combination of high temperature and high pressure could reduce the hose life.

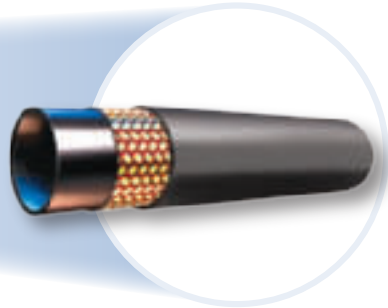
Information about standard products or non-standard products can be found in the current price list. Dimensions shown may be changed at any time without prior notice.

451TC – *No-Skive* Tough Cover Hose

ISO 11237 Type R17 – SAE 100 R17

Main Features

- *No-Skive* thin cover hose construction
- Tough Cover – high abrasion resistant **TOUGH COVER**
- Constant pressure hose 21,0 MPa



Primary Applications/Restrictions

General medium pressure hydraulic applications where higher abrasion resistance is required

Applicable Specifications

ISO 11237 Type R17 – SAE 100 R17

Hose Construction

- Tube:** Nitrile (NBR)
Reinforcement: One high tensile steel wire braid
Cover: Synthetic rubber

Recommended Fluids

Petroleum and water-glycol based fluids, lubricating oils, air and water. For air above 1,7 MPa, the hose cover must be pin-pricked.

Consult the chemical compatibility section on page Ab-16 for more detailed information.

Temperature Range

-40 °C up to +100 °C

Exception: Air max. +70 °C
 Water max. +85 °C

Fittings Series

48

Part Number	Hose I.D.					Pressure rating				min. bend radius mm	Weight kg/m
	DN	Inch	Size	mm	mm	max. dynamic working pressure		min. burst pressure			
						MPa	psi	MPa	psi		
451TC-4-RL	6	1/4	-4	6,3	13,4	21,0	3000	84,0	12000	50	0,24
451TC-6-RL	10	3/8	-6	9,5	17,2	21,0	3000	84,0	12000	65	0,34
451TC-8-RL	12	1/2	-8	12,7	20,4	21,0	3000	84,0	12000	90	0,52
451TC-10-RL	16	5/8	-10	15,9	23,8	21,0	3000	84,0	12000	100	0,66
451TC-12-RL	20	3/4	-12	19,1	27,8	21,0	3000	84,0	12000	120	0,86
451TC-16-RL	25	1	-16	25,4	35,4	21,0	3000	84,0	12000	150	1,17

The combination of high temperature and high pressure could reduce the hose life.
 RL=Delivered on reels

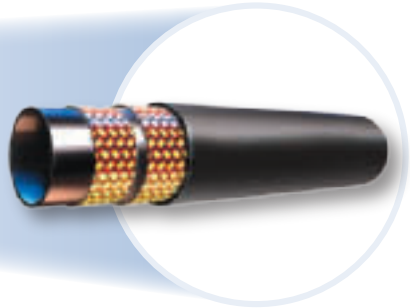
Information about standard products or non-standard products can be found in the current price list.
 Dimensions shown may be changed at any time without prior notice.

461LT - Elite Compact Hose

EN 857 2SC low temperature

Main Features

- *No-Skive* thin cover hose construction
- Excellent ozone resistance
- Ideal for low temperature working conditions (-50 °C)



Primary Applications/Restrictions

Mobile applications in low temperature environments:
Forestry machines, refrigerated warehouses

Applicable Specifications

EN 857 2SC

Hose Construction

Tube: Synthetic rubber
Reinforcement: Two high tensile steel wire braids
Cover: Synthetic rubber

Recommended Fluids

Petroleum and water-glycol based fluids, lubricating oils, air and water. For air above 1,7 MPa, the hose cover must be pin-pricked.
Consult the chemical compatibility section on page Ab-16 for more detailed information.

Temperature Range -50 °C up to +100 °C

Exception: Air.....max. +70 °C
Water.....max. +85 °C

Fittings Series

46

Part Number	Hose I.D.					Pressure rating				min. bend radius mm	Weight kg/m
	DN	Inch	Size	mm	mm	max. dynamic working pressure		min. burst pressure			
						MPa	psi	MPa	psi		
461LT-4	6	1/4	-4	6,3	13	42,5	6160	170,0	24640	75	0,30
461LT-5	8	5/16	-5	7,9	15	40,0	5800	160,0	23200	85	0,35
461LT-6	10	3/8	-6	9,5	17	35,0	5075	140,0	20300	90	0,42
461LT-8	12	1/2	-8	12,7	21	31,0	4495	124,0	17980	130	0,52
461LT-10	16	5/8	-10	15,9	24	28,0	4060	112,0	16240	160	0,66
461LT-12	20	3/4	-12	19,1	28	28,0	4060	112,0	16240	195	0,86
461LT-16	25	1	-16	25,4	35	21,0	3045	84,0	12180	250	1,17

The combination of high temperature and high pressure could reduce the hose life.

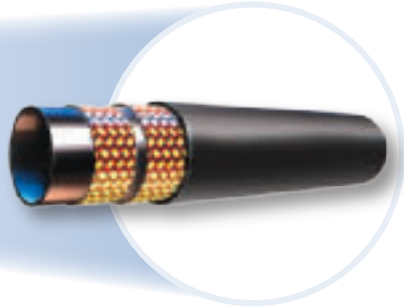
Information about standard products or non-standard products can be found in the current price list. Dimensions shown may be changed at any time without prior notice.

462 – Elite Compact Hose

EN 857 2SC / ISO11237 Type 2SC

Main Features

- *No-Skive* hose construction – Compact design
- Nitrile (NBR) inner tube
– extended fluid compatibility
- Exceeding EN/ISO specifications for pressure, bending radius and abrasion resistance



Primary Applications/Restrictions

Demanding medium pressure hydraulic applications in all markets

Applicable Specifications

EN 857 2SC / ISO11237 Type 2SC

Hose Construction

- Tube:** Nitrile (NBR)
Reinforcement: Two high tensile steel wire braids
Cover: Synthetic rubber

Recommended Fluids

Petroleum and water-glycol based fluids, lubricating oils, air and water. For air above 1,7 MPa, the hose cover must be pin-pricked.

Consult the chemical compatibility section on page Ab-16 for more detailed information.

Temperature Range

-40 °C up to +100 °C

Exception: Air.....max. +70 °C
 Water.....max. +85 °C

Fittings Series

46

Part Number XXXX-XX-XX	Hose I.D.				Hose O.D.		Pressure rating				min. bend radius mm	Weight kg/m
	DN	Inch	Size	mm	mm	max. dynamic working pressure MPa	psi	min. burst pressure MPa	psi			
462-4	6	1/4	-4	6,3	13,4	42,5	6160	170,0	24640	75	0,30	
462-5	8	5/16	-5	7,9	15,0	40,0	5800	160,0	23200	85	0,35	
462-6	10	3/8	-6	9,5	17,2	35,0	5075	140,0	20300	90	0,42	
462-8	12	1/2	-8	12,7	20,4	31,0	4495	124,0	17980	130	0,52	
462-10	16	5/8	-10	15,9	23,9	28,0	4060	112,0	16240	160	0,66	
462-12	20	3/4	-12	19,1	27,7	28,0	4060	112,0	16240	195	0,86	
462-16	25	1	-16	25,4	35,4	21,0	3045	84,0	12180	250	1,17	
462-4-WR	6	1/4	-4	6,3	13,4	42,5	6160	170,0	24640	75	0,30	
462-5-WR	8	5/16	-5	7,9	15,0	40,0	5800	160,0	23200	85	0,35	
462-6-WR	10	3/8	-6	9,5	17,2	35,0	5075	140,0	20300	90	0,42	
462-8-WR	12	1/2	-8	12,7	20,4	31,0	4495	124,0	17980	130	0,52	
462-10-WR	16	5/8	-10	15,9	23,9	28,0	4060	112,0	16240	160	0,66	
462-12-WR	20	3/4	-12	19,1	27,7	28,0	4060	112,0	16240	195	0,86	
462-16-WR	25	1	-16	25,4	35,4	21,0	3045	84,0	12180	250	1,17	
462-20-WR	32	1.1/4	-20	31,8	43,0	17,2	2495	68,8	9980	335	1,50	

The combination of high temperature and high pressure could reduce the hose life.

Part Number without a suffix: the hose cover has a smooth appearance.
 Part Number with a suffix (WR): the hose cover has a wrapped appearance.

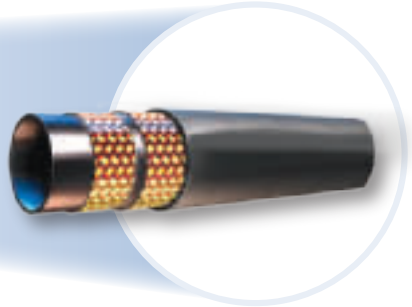
Information about standard products or non-standard products can be found in the current price list.
 Dimensions shown may be changed at any time without prior notice.

462ST – Elite Super Tough Compact Hose

EN 857 2SC / ISO11237 Type 2SC

Main Features

- *No-Skive* hose construction – Compact design
- Nitrile (NBR) inner tube – extended fluid compatibility
- Extreme abrasion resistant **ELITE TOUGH** cover



Primary Applications/Restrictions

Mobile market:

Medium pressure hydraulic applications with extremely high abrasion risks

Applicable Specifications

EN 857 2SC / ISO11237 Type 2SC

Hose Construction

- Tube:** Nitrile (NBR)
Reinforcement: Two high tensile steel wire braids
Cover: Synthetic rubber with a special polyethylene coating

Recommended Fluids

Petroleum and water-glycol based fluids, lubricating oils, air and water. For air above 1,7 MPa, the hose cover must be pin-pricked.

Consult the chemical compatibility section on page Ab-16 for more detailed information.

Temperature Range

-40 °C up to +100 °C

Exception: Air max. +70 °C
 Water max. +85 °C

Fittings Series

46

Part Number XXXX-XX-XX	Hose I.D.				Hose O.D.		Pressure rating				min. bend radius mm	Weight kg/m
	DN	Inch	Size	mm	mm	max. dynamic working pressure		min. burst pressure				
						MPa	psi	MPa	psi			
462ST-4	6	1/4	-4	6,3	13,4	42,5	6500	170,0	24600	75	0,30	
462ST-5	8	5/16	-5	7,9	15,0	40,0	5800	160,0	23200	85	0,35	
462ST-6	10	3/8	-6	9,5	17,2	35,0	5000	140,0	20000	90	0,42	
462ST-8	12	1/2	-8	12,7	20,4	31,0	4450	124,0	17800	125	0,52	
462ST-10	16	5/8	-10	15,9	23,9	28,0	4000	112,0	16000	160	0,66	
462ST-12	20	3/4	-12	19,1	27,7	28,0	4000	112,0	16000	195	0,86	
462ST-16	25	1	-16	25,4	35,4	21,0	3000	84,0	12000	250	1,17	
462ST-20	32	1.1/4	-20	31,8	43,0	17,2	2495	68,8	9980	335	1,50	

The combination of high temperature and high pressure could reduce the hose life.

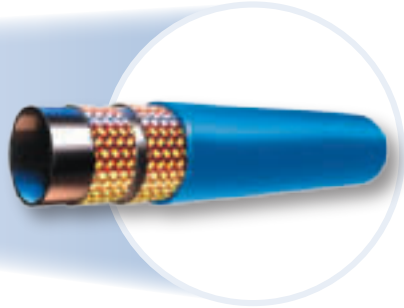
Information about standard products or non-standard products can be found in the current price list. Dimensions shown may be changed at any time without prior notice.

463 – *No-Skive* Compact Hose

High pressure water cleaning applications

Main Features

- 2 wire *No-Skive* Compact design
- For water up to +120 °C constant temperature
- Suitable with *No-Skive* 46 series fittings



Primary Applications/Restrictions

High pressure water cleaners

Hose Construction

- Tube:** Synthetic rubber
Reinforcement: Two high tensile steel wire braids
Cover: Synthetic rubber in black or blue colour

Temperature Range water: max. +120 °C

Fittings Series



XXXX-XX-XX Part Number	Hose I.D.				Hose O.D. mm	Pressure rating				min. bend radius mm	Weight kg/m
	DN	Inch	Size	mm		max. dynamic working pressure		min. burst pressure			
						MPa	psi	MPa	psi		
463-5-RL	8	5/16	-5	7,9	15,0	40,0	5800	120,0	17400	75	0,31
463-5-BLU-RL	8	5/16	-5	7,9	15,0	40,0	5800	120,0	17400	75	0,31
463-6-RL	10	3/8	-6	9,5	17,4	40,0	5800	120,0	17400	90	0,38
463-6-BLU-RL	10	3/8	-6	9,5	17,4	40,0	5800	120,0	17400	90	0,38
463-8-RL	12	1/2	-8	12,7	20,6	35,0	5075	105,0	15225	110	0,48
463-8-BLU-RL	12	1/2	-8	12,7	20,6	35,0	5075	105,0	15225	110	0,48

The combination of high temperature and high pressure could reduce the hose life.
 WKS rubber hand grip for No-Skive high pressure water cleaning hoses can be found on page Eb-12.

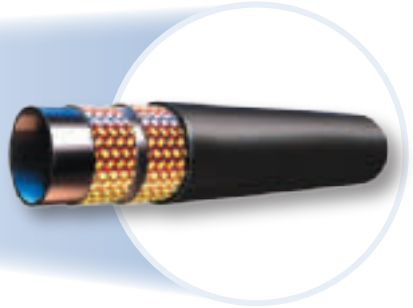
Information about standard products or non-standard products can be found in the current price list.
 Dimensions shown may be changed at any time without prior notice.

471TC/472TC – No-Skive Compact Hose

EN 857 2SC / ISO11237 Type 2SC

Main Features

- *No-Skive* hose construction – Compact design
- 472TC: Nitrile (NBR) inner tube – extended fluid compatibility
- Reduced bend radii
- Highly abrasion resistant **TOUGH COVER**



Primary Applications/Restrictions

Small bending radii demanding medium pressure hydraulic applications

Applicable Specifications

EN 857 2SC / ISO11237 Type 2SC

Hose Construction

- Tube 471TC:** Synthetic rubber
Tube 472TC: Nitrile (NBR)
Reinforcement: Two high tensile steel wire braids
Cover: Synthetic rubber

Recommended Fluids

Petroleum and water-glycol based fluids, lubricating oils, air and water. For air above 1,7 MPa, the hose cover must be pin-pricked.

Consult the chemical compatibility section on page Ab-16 for more detailed information.

Temperature Range

-40 °C up to +100 °C

Exception: Air max. +70 °C
 Water max. +85 °C

Fittings Series

48

Part Number XXXX-XX-XX	Hose I.D.				Hose O.D. mm	Pressure rating				min. bend radius mm	Weight kg/m
	DN	Inch	Size	mm		max. dynamic working pressure MPa	psi	min. burst pressure MPa	psi		
471TC-4	6	1/4	-4	6,3	13	40,0	5800	160,0	23200	50	0,30
471TC-5	8	5/16	-5	7,9	15	36,0	5250	144,0	21000	55	0,35
471TC-6	10	3/8	-6	9,5	17	35,0	5000	140,0	20000	65	0,42
471TC-8	12	1/2	-8	12,7	20	29,7	4250	119,0	17000	90	0,52
471TC-10	16	5/8	-10	15,9	24	25,0	3625	100,0	14500	100	0,66
471TC-12	20	3/4	-12	19,1	28	21,5	3125	86,0	12500	120	0,86
471TC-16	25	1	-16	25,4	35	17,5	2500	70,0	10000	150	1,17
472TC-20	32	1.1/4	-20	31,8	45	15,7	2250	63,0	9000	210	2,01
472TC-24	40	1.1/2	-24	38,1	51	12,5	1800	50,0	7200	250	2,16
472TC-32	50	2	-32	50,8	65	9,0	1300	36,0	5200	315	2,90

The combination of high temperature and high pressure could reduce the hose life.

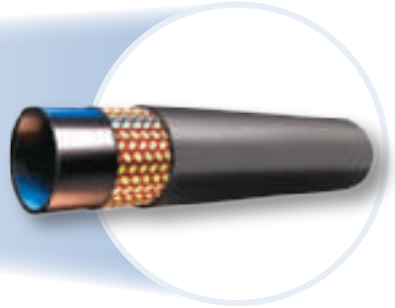
Information about standard products or non-standard products can be found in the current price list. Dimensions shown may be changed at any time without prior notice.

492 – Elite Compact Hose

EN 857 1SC / ISO11237 Type 1SC

Main Features

- *No-Skive* hose construction – Compact design
- Nitrile (NBR) inner tube
– extended fluid compatibility
- Exceeding EN/ISO specifications for pressure, bending radius and abrasion resistance



Primary Applications/Restrictions

Demanding medium pressure hydraulic applications

Applicable Specifications

EN 857 1SC / ISO11237 Type 1SC

Hose Construction

- Tube:** Nitrile (NBR)
Reinforcement: One high tensile steel wire braid
Cover: Synthetic rubber

Recommended Fluids

Petroleum and water-glycol based fluids, lubricating oils, air and water. For air above 1,7 MPa, the hose cover must be pin-pricked.

Consult the chemical compatibility section on page Ab-16 for more detailed information.

Temperature Range

-40 °C up to +100 °C

Exception: Air.....max. +70 °C
 Water.....max. +85 °C

Fittings Series

46

Part Number	Hose I.D.			Hose O.D.		Pressure rating				min. bend radius mm	Weight kg/m
	DN	Inch	Size	mm	mm	max. dynamic working pressure MPa	psi	min. burst pressure MPa	psi		
492-4	6	1/4	-4	6,3	11,5	28,0	4060	112,0	16240	75	0,18
492-5	8	5/16	-5	7,9	13,6	25,0	3625	100,0	14500	85	0,21
492-6	10	3/8	-6	9,5	15,5	22,5	3260	90,0	13050	90	0,25
492-8	12	1/2	-8	12,7	18,9	19,0	2755	76,0	11020	130	0,33
492-10	16	5/8	-10	15,9	22,2	15,0	2175	60,0	8700	150	0,41
492-12	20	3/4	-12	19,1	26,0	15,0	2175	60,0	8700	180	0,56
492-16	25	1	-16	25,4	33,3	11,0	1595	44,0	6380	230	0,75
492-4-WR	6	1/4	-4	6,3	11,5	28,0	4060	112,0	16240	75	0,18
492-5-WR	8	5/16	-5	7,9	13,6	25,0	3625	100,0	14500	85	0,21
492-6-WR	10	3/8	-6	9,5	15,5	22,5	3260	90,0	13050	90	0,25
492-8-WR	12	1/2	-8	12,7	18,9	19,0	2755	76,0	11020	130	0,33
492-10-WR	16	5/8	-10	15,9	22,2	15,0	2175	60,0	8700	150	0,41
492-12-WR	20	3/4	-12	19,1	26,0	15,0	2175	60,0	8700	180	0,56
492-16-WR	25	1	-16	25,4	33,3	11,0	1595	44,0	6380	230	0,75
492-20-WR	32	1.1/4	-20	31,8	40,0	7,5	1085	30,0	4350	335	0,93

The combination of high temperature and high pressure could reduce the hose life.

Part Number without a suffix: the hose cover has a smooth appearance.
 Part Number with a suffix (WR): the hose cover has a wrapped appearance.

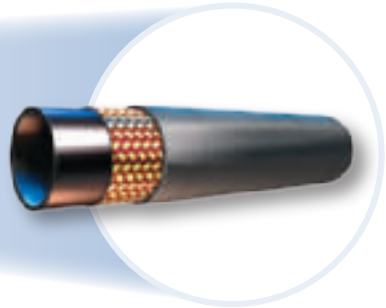
Information about standard products or non-standard products can be found in the current price list.
 Dimensions shown may be changed at any time without prior notice.

492ST – Elite Super Tough Compact Hose

EN 857 1SC / ISO11237 Type 1SC

Main Features

- *No-Skive* hose construction – Compact design
- Nitrile (NBR) inner tube – extended fluid compatibility
- Extreme abrasion resistant **ELITE TOUGH** cover



Primary Applications/Restrictions

Mobile market:

Medium pressure hydraulic applications with extremely high abrasion risks

Applicable Specifications

EN 857 1SC / ISO11237 Type 1SC

Hose Construction

- Tube:** Nitrile (NBR)
Reinforcement: One high tensile steel wire braid
Cover: Synthetic rubber with a special polyethylene coating

Recommended Fluids

Petroleum and water-glycol based fluids, lubricating oils, air and water. For air above 1,7 MPa, the hose cover must be pin-pricked.

Consult the chemical compatibility section on page Ab-16 for more detailed information.

Temperature Range

-40 °C up to +100 °C

Exception: Air max. +70 °C
 Water max. +85 °C

Fittings Series

46

Part Number XXXX-XX-XX	Hose I.D.				Hose O.D.		Pressure rating				min. bend radius mm	Weight kg/m
	DN	Inch	Size	mm	mm	max. dynamic working pressure		min. burst pressure				
						MPa	psi	MPa	psi			
492ST-4	6	1/4	-4	6,3	12,0	28,0	4000	112,0	16240	75	0,18	
492ST-5	8	5/16	-5	7,9	13,6	25,0	3625	100,0	14500	85	0,21	
492ST-6	10	3/8	-6	9,5	15,5	22,5	3260	90,0	13050	90	0,25	
492ST-8	12	1/2	-8	12,7	18,9	19,0	2755	76,0	11020	130	0,33	
492ST-10	16	5/8	-10	15,9	22,3	15,0	2175	60,0	8700	150	0,41	
492ST-12	20	3/4	-12	19,1	26,0	15,0	2175	60,0	8700	180	0,56	
492ST-16	25	1	-16	25,4	33,6	11,0	1595	44,0	6380	230	0,75	
492ST-20	32	1.1/4	-20	31,8	40,0	7,5	1085	30,0	4350	335	0,93	

The combination of high temperature and high pressure could reduce the hose life.

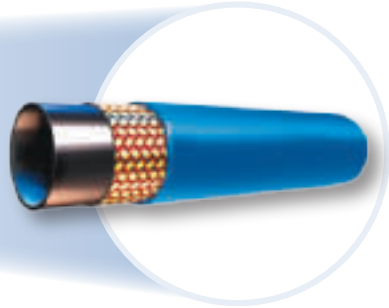
Information about standard products or non-standard products can be found in the current price list. Dimensions shown may be changed at any time without prior notice.

493 – *No-Skive* Compact Hose

High pressure water cleaning applications

Main Features

- One wire *No-Skive* construction
- For water up to +120 °C constant temperature
- Suitable with 48 series *No-Skive* fittings



Primary Applications/Restrictions

High pressure water cleaners

Hose Construction

- Tube:** Synthetic rubber
Reinforcement: One high tensile steel wire braid
Cover: Synthetic rubber in black or blue colour

Temperature Range water: max. +120 °C

Fittings Series

48

Part Number XXXX-XX-XX	Hose I.D.					Pressure rating				min. bend radius mm	Weight kg/m
	DN	Inch	Size	mm	Hose O.D. mm	max. dynamic working pressure MPa	psi	min. burst pressure MPa	psi		
493-4-RL	6	1/4	-4	6,3	13,4	20,0	2898	60,0	8695	60	0,18
493-4-BLU-RL	6	1/4	-4	6,3	13,4	20,0	2898	60,0	8695	60	0,18
493-5-RL	8	5/16	-5	7,9	15,0	20,0	2898	60,0	8695	75	0,21
493-5-BLU-RL	8	5/16	-5	7,9	15,0	20,0	2898	60,0	8695	75	0,21
493-6-RL	10	3/8	-6	9,5	17,4	20,0	2898	60,0	8695	90	0,25
493-6-BLU-RL	10	3/8	-6	9,5	17,4	20,0	2898	60,0	8695	90	0,25
493-8-RL	12	1/2	-8	12,7	20,6	17,5	2536	52,5	7608	110	0,33
493-8-BLU-RL	12	1/2	-8	12,7	20,6	17,5	2536	52,5	7608	110	0,33

The combination of high temperature and high pressure could reduce the hose life.
 WKS rubber hand grip for No-Skive high pressure water cleaning hoses can be found on page Eb-12.

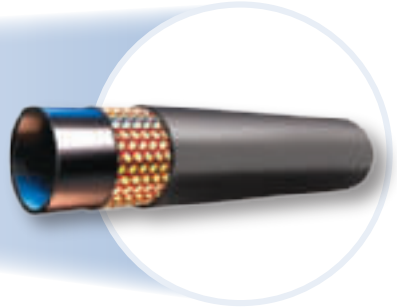
Information about standard products or non-standard products can be found in the current price list.
 Dimensions shown may be changed at any time without prior notice.

692 – Elite Compact Hose

Constant pressure hose with tight bending radius

Main Features

- *No-Skive* hose construction – Compact design
- Nitrile (NBR) inner tube – extended fluid compatibility
- Constant pressure hose 21,0 MPa



Primary Applications/Restrictions

Material handling:

General small bending radii hydraulic applications; ideal for over the sheave or reel applications

Applicable Specifications

Parker specification

Hose Construction

- Tube:** Nitrile (NBR)
Reinforcement: One or two high tensile steel wire braid
Cover: Synthetic rubber

Recommended Fluids

Petroleum and water-glycol based fluids, lubricating oils, air and water. For air above 1,7 MPa, the hose cover must be pin-pricked.

Consult the chemical compatibility section on page Ab-16 for more detailed information.

Temperature Range

-40 °C up to +80 °C
 Exception: Air max. +70 °C

Fittings Series



Part Number	Hose I.D.					Pressure rating				min. bend radius mm	Weight kg/m
	DN	Inch	Size	mm	mm	max. dynamic working pressure		min. burst pressure			
						MPa	psi	MPa	psi		
692-4	6	1/4	-4	6,3	11,5	21,0	3045	84,0	12180	40	0,18
692-5	8	5/16	-5	7,9	13,6	21,0	3045	84,0	12180	40	0,21
692-6	10	3/8	-6	9,5	15,5	21,0	3045	84,0	12180	40	0,25
692-8	12	1/2	-8	12,7	20,4	21,0	3045	84,0	12180	50	0,52
692-10	16	5/8	-10	15,9	23,9	21,0	3045	84,0	12180	60	0,66

The combination of high temperature and high pressure could reduce the hose life.

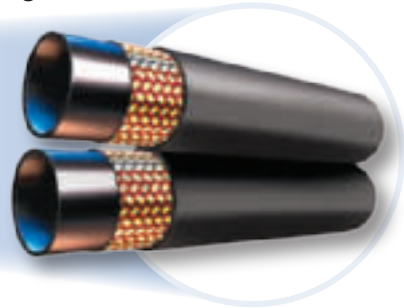
Information about standard products or non-standard products can be found in the current price list. Dimensions shown may be changed at any time without prior notice.

692Twin – *Elite* Compact Hose

Twin constant pressure hose with tight bending radius

Main Features

- *No-Skive* hose construction – Compact design
- Nitrile (NBR) inner tube
– extended fluid compatibility
- Constant pressure hose 21,0 MPa



Primary Applications/Restrictions

Lifting and material handling equipment:

General small bending radii hydraulic applications; over the sheave or reel applications

Applicable Specifications

Parker specification

Hose Construction

- Tube:** Nitrile (NBR)
Reinforcement: One or two high tensile steel wire braid
Cover: Synthetic rubber

Recommended Fluids

Petroleum and water-glycol based fluids, lubricating oils, air and water. For air above 1,7 MPa, the hose cover must be pin-pricked.

Consult the chemical compatibility section on page Ab-16 for more detailed information.

Temperature Range

-40 °C up to +80 °C

Exception: Air max. +70 °C

Fittings Series

46

Part Number XXXX-XX-XX	Hose I.D.					Pressure rating				min. bend radius mm	Weight kg/m
	Hose O.D.					max. dynamic working pressure		min. burst pressure			
	DN	Inch	Size	mm	mm	MPa	psi	MPa	psi		
692-4-4	6	1/4	-4	6,3	25,8	21,0	3045	84,0	12180	40	0,34
692-5-5	8	5/16	-5	7,9	27,4	21,0	3045	84,0	12180	40	0,40
692-6-6	10	3/8	-6	9,5	31,2	21,0	3045	84,0	12180	40	0,48
692-8-8	12	1/2	-8	12,7	41,5	21,0	3045	84,0	12180	50	1,02
692-10-10	16	5/8	-10	15,9	48,7	21,0	3045	84,0	12180	60	1,30

The combination of high temperature and high pressure could reduce the hose life.

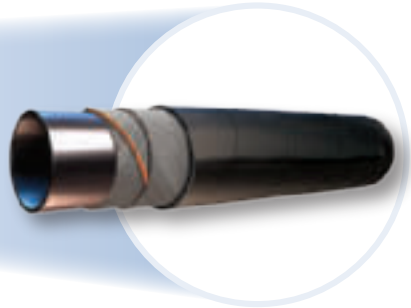
Information about standard products or non-standard products can be found in the current price list. Dimensions shown may be changed at any time without prior notice.

811 – No-Skive Suction and Return Line Hose

SAE 100 R4

Main Features

- *No-Skive* hose construction
- Small bend radii



Primary Applications/Restrictions

All Markets: General applications

Hose Construction

Tube: Synthetic rubber
Reinforcement: Two textile braids, combined with wire spiraled throughout the textile reinforcement to prevent collapse under vacuum
Cover: Oil and weather resistant synthetic rubber cover

Recommended Fluids

Petroleum and water-glycol based fluids, lubricating oils, air and water.
 Consult the chemical compatibility section on page Ab-16 for more detailed information.

Temperature Range

-40 °C up to +100 °C
 Exception: Air max. +70 °C
 Water max. +85 °C

Fittings Series

48

Part Number	Hose I.D.				Hose O.D. mm	Pressure rating				Vacuum kilo Pascal*1 kPa	min. bend radius mm	Weight kg/m
	DN	Inch	Size	mm		max. dynamic working pressure MPa	psi	min. burst pressure MPa	psi			
811-12**	20	3/4	-12	19,1	30,0	2,1	300	8,3	1200	85	65	0,63
811-16**	25	1	-16	25,4	38,0	1,7	250	6,9	1000	85	75	0,96
811-20	32	1-1/4	-20	31,8	45,0	1,4	200	5,5	800	85	100	1,22
811-24	40	1-1/2	-24	38,1	52,0	1,0	150	4,1	600	85	130	1,55
811-32	50	2	-32	50,8	64,0	0,7	100	2,8	400	85	150	1,87

*1 = the vacuum values listed in the table are vacuum pressure values in kPa. For an absolute value subtract the table value from 101 kPa
 Size 40 and 48 on request, with series 88 nipple plus clamp.

** size -12 and size -16 = on Parkrimp 2 crimping press or adjustable crimpers only

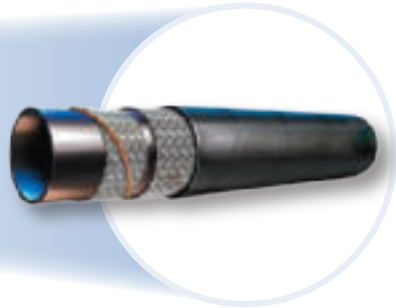
Information about standard products or non-standard products can be found in the current price list.
 Dimensions shown may be changed at any time without prior notice.

881 – *No-Skive* Suction and Return Line Hose

SAE 100 R4

Main Features

- *No-Skive* hose construction
- Up to +121 °C working temperature
- MSHA - approved hose cover



Primary Applications/Restrictions

All Markets: For high temperature applications
For general applications

Hose Construction

Tube: Synthetic rubber
Reinforcement: Two textile braids, combined with wire spiraled throughout the textile reinforcement to prevent collapse under vacuum
Cover: Synthetic rubber
MSHA approved cover

Recommended Fluids

Petroleum and water-glycol based fluids, lubricating oils, air and water.

Consult the chemical compatibility section on page Ab-16 for more detailed information.

Temperature Range

-40 °C up to +121 °C

Exception: Air max. +70 °C
Water max. +85 °C

Fittings Series

size -12/-16 series 43
size -20/-24/-32 series 48

















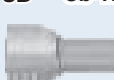












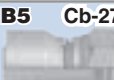

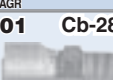
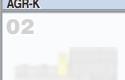
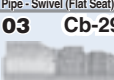

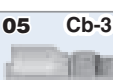
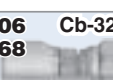

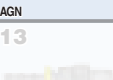
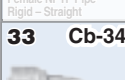
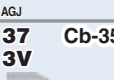
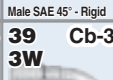
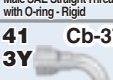
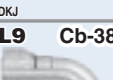
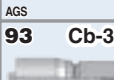
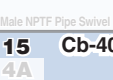



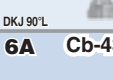

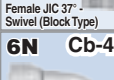

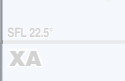
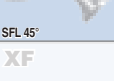
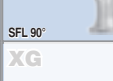
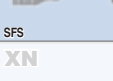
Part Number XXXX-XX-XX	Hose I.D.				Hose O.D.				Pressure rating				Vacuum kilo Pascal*1 kPa	min. bend radius mm	Weight kg/m
	DN	Inch	Size	mm	mm	max. dynamic working pressure MPa	psi	min. burst pressure MPa	psi	MPa	psi	MPa			
881-12	20	3/4	-12	19,1	30,0	2,1	300	3,0	1200	95	130	0,74			
881-16	25	1	-16	25,4	38,0	1,7	250	6,9	1000	95	150	0,89			
881-20	32	1.1/4	-20	31,8	45,0	1,4	200	5,5	800	95	200	1,32			
881-24	40	1.1/2	-24	38,1	52,0	1,0	150	4,1	600	95	250	1,65			
881-32	50	2	-32	50,8	63,0	0,7	100	2,8	400	95	300	1,89			














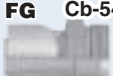








*1 = the vacuum values listed in the table are vacuum pressure values in kPa. For an absolute value subtract the table value from 101 kPa



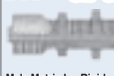




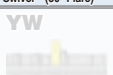

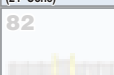
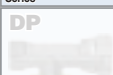








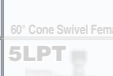
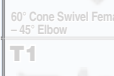
** Sizes -40 and -48 on request, with series 88 nipple plus clamp.

Information about standard products or non-standard products can be found in the current price list.
Dimensions shown may be changed at any time without prior notice.

Fittings Overview 46 / 48 Series

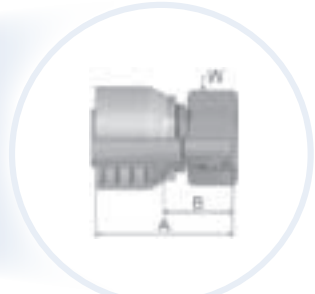
DIN	CA Cb-1  DKOL	CE Cb-2  DKOL 45°	CF Cb-3  DKOL 90°	DO Cb-4  CEL	CO Cb-5  DKM or DKLL	C3 Cb-6  DKL	C4 Cb-7  DKL 45°	
	C5 Cb-8  DKL 90°	1D Cb-9  BEL	DD Cb-10  BEL 45°	5D Cb-11  BEL 90°	C9 Cb-12  DKOS	OC Cb-13  DKOS 45°	1C Cb-14  DKOS 90°	
	D2 Cb-15  CES	C6 Cb-16  DKS	3D Cb-17  BES	49 Cb-56  Metric Banjo	9B  Swivel Female 45° Elbow	9C  Swivel Female 90° Elbow		
	92 Cb-18  DKR	B1 Cb-19  DKR 45°	B2 Cb-20  DKR 90°	B4 Cb-21  DKR 90° (Compact)	EA Cb-22  DKOR	EB Cb-23  DKOR 45°	EC Cb-24  DKOR 90°	
	D9 Cb-25  AGR	91 Cb-26  AGR-K	B5 Cb-27  Female BSP Parallel Pipe - Swivel (Flat Seat)	34  Standpipe				
	01 Cb-28  AGN	02  Female NPTF Pipe Rigid - Straight	03 Cb-29  AGJ	04 Cb-30  Male SAE 45° - Rigid	05 Cb-31  Male SAE Straight Thread with O-ring - Rigid	06 Cb-32  DKJ	08 Cb-33  AGS	
13  Male NPTF Pipe Swivel	33 Cb-34  Male JIC 37° - Rigid	37 Cb-35 3V  DKJ 45°	39 Cb-36 3W  DKJ 90°	41 Cb-37 3Y  DKJ 90°L	L9 Cb-38  DKJ 90° M	93 Cb-39  Female JIC 37° - Swivel (Block Type)		
15 Cb-40 4A  SFL	16  SFL 22.5°	17 Cb-41 4F  SFL 45°	19 Cb-42 4N  SFL 90°	6A Cb-43  SFS	6F Cb-44  SFS 45°	6N Cb-45  SFS 90°		
89  SFL 90° - long	XA  Caterpillar Flange Head	XF  Caterpillar Flange Head 45°	XG  Caterpillar Flange Head 60°	XN  Caterpillar Flange Head 90°				

ORFS	JC Cb-46  ORFS - short	JS Cb-47  ORFS - long	J7 Cb-48  ORFS 45°	J9 Cb-49  ORFS Female 90°	J1 Cb-50  ORFS 90° - extra long	J5 Cb-51  ORFS 90° - long	JM Cb-52  ORFS Male
	JD Cb-53  Male ORFS - Bulkhead with Locknut (with O-ring)						
JIS	FU Cb-61  GUI	GU Cb-62  GUO	MU Cb-63  Female Metric Swivel - (30° Flare)	MZ Cb-64  Female Metric Swivel - (30° Flare)	UT Cb-65  Male BSP Taper Pipe Rigid - (60° Cone)		
	French Standard	FG Cb-54  Male Rigid Gas Series - (24° Cone)	F2 Cb-55  Female Swivel Gas Series	F4 Cb-57  Female Swivel Gas Series - (Ball Nose)	F6 Cb-58  Male Metric (24° Cone)	F9 Cb-59  Swivel Female Metric (Ball Nose)	FA Cb-60  Metric Male for Agriculture Valves
High Pressure Cleaning		CW Cb-69  Power Cleaner Connection	PW Cb-71  Male Kärcher Metric Cleaning Hose Fitting - Rigid	NW Cb-70  Female Kärcher Metric Cleaning Hose Fitting Swivel - (New Design)			

others	XU Cb-66  Female Metric Swivel - (30° Flare)	XY  Female Metric Swivel - (30° Flare)	DK Cb-67  Male Metric L - Rigid Bulkhead with Locknut (24° Cone)	DX Cb-68  Female Metric Swivel (M27x2) O-ring - Light Series	FF  Metru-Lok Swivel Female	AF  Male BSP Parallel Pipe Rigid - Straight (with O-ring/Seal)	NM  Male BSP Parallel Pipe - L Series - Rigid Straight - ED-Seal
	YW  Male Standpipe - Rigid - Straight - A-Lok	VW121  BSP Swivel Female	82  Push-Lok Union	DP  Metric Swivel Female Tee / Male Stud	DR  Metric Swivel Female Tee	5C  60° Cone Swivel Female	6C  60° Cone Swivel Female - 45° Elbow
	7C  60° Cone Swivel Female - 90° Elbow	5S  Female Tube O-ring Swivel - Short Pilot	5H  Female Tube O-ring Swivel - 45° Elbow Short Pilot	5T  Female Tube O-ring Swivel 90° Elbow Short Pilot	59PT  Male Tube O-ring Swivel - Long Pilot Charge Port at 180° for R134a	5LPT  Female Tube O-ring Swivel - 90° Elbow Long Pilot Charge Port at 180° for R134a	T1  Male Refrigerant Tube Mender - Straight (with Nut and Ferrule)

CA – Female Metric 24° – Light Series with O-ring – Swivel – Straight

ISO 12151-2-SWS-L, DKOL



Approved fitting series for hose types:

46 441 / 441RH / 461LT / 462 / 462ST / 463 / 492 / 492ST / 692 / 692 TWIN

48 301SN / 302 / 421RH / 421SN / 422 / 426 / 436 / 441 / 451TC / 471TC / 472TC / 493 / 811 / 881

XXXX-XX-XX Part Number		Hose I.D.				Thread metric	Tube O.D.	A	B	W
46	48	DN	Inch	Size	mm					
1CA46-6-4	1CA48-6-4	6	1/4	-4	6,3	M12x1,5	6	46	22	14
1CA46-8-4	1CA48-8-4	6	1/4	-4	6,3	M14x1,5	8	46	22	17
1CA46-10-4	1CA48-10-4	6	1/4	-4	6,3	M16x1,5	10	46	22	19
1CA46-12-4	1CA48-12-4	6	1/4	-4	6,3	M18x1,5	12	46	22	22
1CA46-8-5	1CA48-8-5	8	5/16	-5	7,9	M14x1,5	8	51	26	17
1CA46-10-5	1CA48-10-5	8	5/16	-5	7,9	M16x1,5	10	46	22	19
1CA46-12-5	1CA48-12-5	8	5/16	-5	7,9	M18x1,5	12	46	23	22
1CA46-8-6	1CA48-8-6	10	3/8	-6	9,5	M14x1,5	8	49	26	17
1CA46-10-6	1CA48-10-6	10	3/8	-6	9,5	M16x1,5	10	46	23	19
1CA46-12-6	1CA48-12-6	10	3/8	-6	9,5	M18x1,5	12	46	23	22
1CA46-15-6	1CA48-15-6	10	3/8	-6	9,5	M22x1,5	15	47	24	27
1CA46-18-6	1CA48-18-6	10	3/8	-6	9,5	M26x1,5	18	50	28	32
1CA46-12-8	1CA48-12-8	12	1/2	-8	12,7	M18x1,5	12	50	26	22
1CA46-15-8	1CA48-15-8	12	1/2	-8	12,7	M22x1,5	15	50	26	27
1CA46-18-8	1CA48-18-8	12	1/2	-8	12,7	M26x1,5	18	49	25	32
1CA46-15-10	1CA48-15-10	16	5/8	-10	15,9	M22x1,5	15	54	29	27
1CA46-18-10	1CA48-18-10	16	5/8	-10	15,9	M26x1,5	18	51	26	32
1CA46-18-12	1CA48-18-12	20	3/4	-12	19,1	M26x1,5	18	51	25	32
1CA46-22-10	1CA48-22-10	16	5/8	-10	15,9	M30x2	22	55	30	36
1CA46-22-12	1CA48-22-12	20	3/4	-12	19,1	M30x2	22	56	30	36
1CA46-28-12	1CA48-28-12	20	3/4	-12	19,1	M36x2	28	61	35	41
1CA46-22-16	1CA48-22-16	25	1	-16	25,4	M30x2	22	60	30	36
1CA46-28-16	1CA48-28-16	25	1	-16	25,4	M36x2	28	63	33	41
1CA46-35-16	1CA48-35-16	25	1	-16	25,4	M45x2	35	63	33	50
	1CA48-28-20	32	1-1/4	-20	31,8	M36x2	28	81	34	41
1CA46-35-20		32	1-1/4	-20	31,8	M45x2	35	66	28	50
	1CA48-35-20	32	1-1/4	-20	31,8	M45x2	35	82	35	50
	1CA48-42-24	40	1-1/2	-24	38,1	M52x2	42	77	39	60
	1CA48-42-24C	40	1-1/2	-24	38,1	M52x2	42	77	39	60

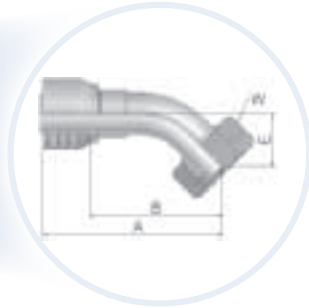
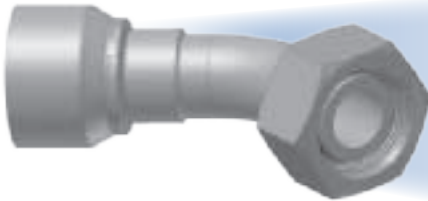
Hose fittings are delivered with ozone resistant Nitrile (NBR) O-ring as a standard version. Working temperature from -30 °C up to +105 °C. Hose fittings with special O-rings (Viton or EPDM) available on request. For O-ring dimensions and part-numbers see Section Eb.

Information about standard products or non-standard products can be found in the current price list. Dimensions shown may be changed at any time without prior notice.

Material: steel chromium(VI) free plated
C: Stainless Steel

CE – Female Metric 24° – Light Series with O-ring – Swivel – 45° Elbow

ISO 12151-2-SWE 45°-L, DKOL 45°



Approved fitting series for hose types:

	46	441 / 441RH / 461LT / 462 / 462ST / 463 / 492 / 492ST / 692 / 692 TWIN
	48	301SN / 302 / 421RH / 421SN / 422 / 426 / 436 / 441 / 451TC / 471TC / 472TC / 493 / 811 / 881

XXXX-XX-XX Part Number 		 Hose I.D.				 Thread metric	Tube O.D.	A	B	E	 W
DN	Inch	Size	mm	mm	mm	mm	mm	mm	mm	mm	
1CE46-6-4	1CE48-6-4	6	1/4	-4	6,3	M12x1,5	6	70	46	19	14
1CE46-8-4	1CE48-8-4	6	1/4	-4	6,3	M14x1,5	8	59	35	16	17
1CE46-10-4	1CE48-10-4	6	1/4	-4	6,3	M16x1,5	10	59	35	16	19
1CE46-12-4	1CE48-12-4	6	1/4	-4	6,3	M18x1,5	12	59	36	16	22
1CE46-8-5	1CE48-8-5	8	5/16	-5	7,9	M14x1,5	8	64	41	19	17
1CE46-10-5	1CE48-10-5	8	5/16	-5	7,9	M16x1,5	10	67	44	16	19
1CE46-12-5	1CE48-12-5	8	5/16	-5	7,9	M18x1,5	12	62	38	17	22
1CE46-10-6	1CE48-10-6	10	3/8	-6	9,5	M16x1,5	10	68	45	20	19
1CE46-12-6	1CE48-12-6	10	3/8	-6	9,5	M18x1,5	12	68	45	19	22
1CE46-15-6	1CE48-15-6	10	3/8	-6	9,5	M22x1,5	15	69	46	20	27
1CE46-12-8	1CE48-12-8	12	1/2	-8	12,7	M18x1,5	12	74	51	23	22
1CE46-15-8	1CE48-15-8	12	1/2	-8	12,7	M22x1,5	15	71	47	22	27
1CE46-18-8	1CE48-18-8	12	1/2	-8	12,7	M26x1,5	18	71	47	22	32
1CE46-15-10	1CE48-15-10	16	5/8	-10	15,9	M22x1,5	15	79	54	26	27
1CE46-18-10	1CE48-18-10	16	5/8	-10	15,9	M26x1,5	18	76	50	23	32
1CE46-22-10	1CE48-22-10	16	5/8	-10	15,9	M30x2	22	82	57	24	36
1CE46-18-12	1CE48-18-12	20	3/4	-12	19,1	M26x1,5	18	90	64	28	32
1CE46-22-12	1CE48-22-12	20	3/4	-12	19,1	M30x2	22	89	62	26	36
1CE46-28-12	1CE48-28-12	20	3/4	-12	19,1	M36x2	28	90	64	28	41
1CE46-22-16	1CE48-22-16	25	1	-16	25,4	M30x2	22	108	78	33	36
1CE46-28-16	1CE48-28-16	25	1	-16	25,4	M36x2	28	113	83	33	41
1CE46-35-20		32	1-1/4	-20	31,8	M45x2	35	130	92	32	50
	1CE48-35-20	32	1-1/4	-20	31,8	M45x2	35	141	94	38	50
	1CE48-42-24	40	1-1/2	-24	38,1	M52x2	42	155	117	49	60
	1CE48-42-24C	40	1-1/2	-24	38,1	M52x2	42	155	117	49	60

Hose fittings are delivered with ozone resistant Nitrile (NBR) O-ring as a standard version. Working temperature from -30 °C up to +105 °C.
Hose fittings with special O-rings (Viton or EPDM) available on request. For O-ring dimensions and part-numbers see Section Eb.
Material: steel chromium(VI) free plated; C: Stainless Steel

Information about standard products or non-standard products can be found in the current price list.
Dimensions shown may be changed at any time without prior notice.

CF – Female Metric 24° – Light Series with O-ring – Swivel – 90° Elbow

ISO 12151-2-SWE-L, DKOL 90°



Approved fitting series for hose types:

46	441 / 441RH / 461LT / 462 / 462ST / 463 / 492 / 492ST / 692 / 692 TWIN
48	301SN / 302 / 421RH / 421SN / 422 / 426 / 436 / 441 / 451TC / 471TC / 472TC / 493 / 811 / 881

XXXX-XX-XX Part Number		Hose I.D.				Thread metric	Tube O.D.	A	B	E	W
46	48	DN	Inch	Size	mm		mm	mm	mm	mm	mm
1CF46-6-4	1CF48-6-4	6	1/4	-4	6,3	M12x1,5	6	57	33	33	14
1CF46-8-4	1CF48-8-4	6	1/4	-4	6,3	M14x1,5	8	51	28	29	17
1CF46-10-4	1CF48-10-4	6	1/4	-4	6,3	M16x1,5	10	50	26	29	19
1CF46-12-4	1CF48-12-4	6	1/4	-4	6,3	M18x1,5	12	50	26	29	22
1CF46-8-5	1CF48-8-5	8	5/16	-5	7,9	M14x1,5	8	63	39	34	17
1CF46-10-5	1CF48-10-5	8	5/16	-5	7,9	M16x1,5	10	61	37	29	19
1CF46-12-5	1CF48-12-5	8	5/16	-5	7,9	M18x1,5	12	61	37	30	22
1CF46-10-6	1CF48-10-6	10	3/8	-6	9,5	M16x1,5	10	60	37	37	19
1CF46-12-6	1CF48-12-6	10	3/8	-6	9,5	M18x1,5	12	58	35	36	22
1CF46-15-6	1CF48-15-6	10	3/8	-6	9,5	M22x1,5	15	58	35	36	27
1CF46-18-6	1CF48-18-6	10	3/8	-6	9,5	M26x1,5	18	63	40	38	32
1CF46-12-8	1CF48-12-8	12	1/2	-8	12,7	M18x1,5	12	63	39	45	22
1CF46-15-8	1CF48-15-8	12	1/2	-8	12,7	M22x1,5	15	61	37	43	27
1CF46-18-8	1CF48-18-8	12	1/2	-8	12,7	M26x1,5	18	65	41	43	32
1CF46-15-10	1CF48-15-10	16	5/8	-10	15,9	M22x1,5	15	66	41	50	27
1CF46-18-10	1CF48-18-10	16	5/8	-10	15,9	M26x1,5	18	66	41	45	32
1CF46-22-10	1CF48-22-10	16	5/8	-10	15,9	M30x2	22	71	46	47	36
1CF46-18-12	1CF48-18-12	20	3/4	-12	19,1	M26x1,5	18	80	54	56	32
1CF46-22-12	1CF48-22-12	20	3/4	-12	19,1	M30x2	22	80	54	55	36
1CF46-28-12	1CF48-28-12	20	3/4	-12	19,1	M36x2	28	76	50	57	41
1CF46-22-16	1CF48-22-16	25	1	-16	25,4	M30x2	22	102	72	74	36
1CF46-28-16	1CF48-28-16	25	1	-16	25,4	M36x2	28	100	70	71	41
	1CF48-22-20	32	1-1/4	-20	31,8	M30x2	22	130	83	81	36
	1CF48-28-20	32	1-1/4	-20	31,8	M36x2	28	130	83	81	41
1CF46-35-20		32	1-1/4	-20	31,8	M45x2	35	124	87	79	50
	1CF48-35-20	32	1-1/4	-20	31,8	M45x2	35	130	83	79	50
	1CF48-42-24	40	1-1/2	-24	38,1	M52x2	42	139	101	101	60
	1CF48-42-24C	40	1-1/2	-24	38,1	M52x2	42	138	101	101	60

Standard hose fittings are delivered with ozone resistant Nitrile O-ring. See section Eb for special O-rings and dimensions. Information about standard products or non-standard products can be found in the current price list. Material: steel chromium(VI) free plated C: Stainless Steel




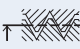
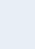

DO – Male Metric 24° – Light Series – Rigid – Straight

ISO 12151-2-S-L, CEL



Approved fitting series for hose types:

	46	441 / 441RH / 461LT / 462 / 462ST / 463 / 492 / 492ST / 692 / 692 TWIN
	48	301SN / 302 / 421RH / 421SN / 422 / 426 / 436 / 441 / 451TC / 471TC / 472TC / 493 / 811 / 881

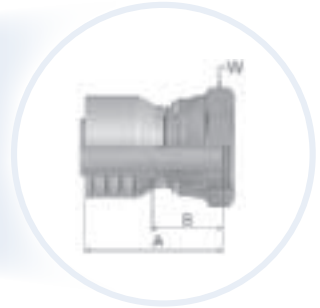
XXXX-XX-XX Part Number  		 Hose I.D.				 Thread metric	 Tube O.D.	A	B	 H
DN	Inch	Size	mm	mm	mm	mm	mm	mm	mm	
1D046-6-4	1D048-6-4	6	1/4	-4	6,3	M12x1,5	6	44	20	12
1D046-8-4	1D048-8-4	6	1/4	-4	6,3	M14x1,5	8	46	22	14
1D046-10-4	1D048-10-4	6	1/4	-4	6,3	M16x1,5	10	48	24	17
1D046-12-4	1D048-12-4	6	1/4	-4	6,3	M18x1,5	12	48	24	19
1D046-8-5	1D048-8-5	8	5/16	-5	7,9	M14x1,5	8	44	20	14
1D046-10-5	1D048-10-5	8	5/16	-5	7,9	M16x1,5	10	48	24	17
1D046-12-5	1D048-12-5	8	5/16	-5	7,9	M18x1,5	12	48	24	19
1D046-10-6	1D048-10-6	10	3/8	-6	9,5	M16x1,5	10	47	24	17
1D046-12-6	1D048-12-6	10	3/8	-6	9,5	M18x1,5	12	47	24	19
1D046-15-6	1D048-15-6	10	3/8	-6	9,5	M22x1,5	15	49	26	22
1D046-12-8	1D046-12-8	12	1/2	-8	12,7	M18x1,5	12	47	23	19
1D046-15-8	1D048-15-8	12	1/2	-8	12,7	M22x1,5	15	50	26	22
1D046-18-8	1D048-18-8	12	1/2	-8	12,7	M26x1,5	18	53	29	27
1D046-15-10	1D048-15-10	16	5/8	-10	15,9	M22x1,5	15	55	30	27
1D046-18-10	1D048-18-10	16	5/8	-10	15,9	M26x1,5	18	55	30	27
1D046-18-12	1D048-18-12	20	3/4	-12	19,1	M26x1,5	18	55	29	27
1D046-22-12	1D048-22-12	20	3/4	-12	19,1	M30x2	22	59	33	30
1D046-28-12	1D048-28-12	20	3/4	-12	19,1	M36x2	28	60	34	36
1D046-28-16	1D048-28-16	25	1	-16	25,4	M36x2	28	65	35	36
1D046-35-20		32	1-1/4	-20	31,8	M45x2	35	78	40	46
	1D048-35-20	32	1-1/4	-20	31,8	M45x2	35	85	38	46
	1D048-42-24	40	1-1/2	-24	38,1	M52x2	42	77	39	55
	1D048-42-24C	40	1-1/2	-24	38,1	M52x2	42	77	39	55

Material: steel chromium(VI) free plated
C: Stainless Steel

Information about standard products or non-standard products can be found in the current price list.
Dimensions shown may be changed at any time without prior notice.

C0 – Female Metric – Very Light Series LL – Swivel – Straight (Ball Nose)

DKM



Approved fitting series for hose types:

	46	441 / 441RH / 461LT / 462 / 462ST / 463 / 492 / 492ST / 692 / 692 TWIN
	48	301SN / 302 / 421RH / 421SN / 422 / 426 / 436 / 441 / 451TC / 471TC / 472TC / 493 / 811 / 881

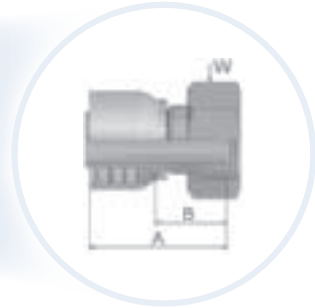
XXXX-XX-XX Part Number 		 Hose I.D.				 Thread metric	Tube O.D.	A	B	 W
DN	Inch	Size	mm	mm	mm	mm	mm	mm	mm	
1C046-20-12	1C048-20-12	20	3/4	-12	19,1	M30x1,5	22	54	28	36
1C046-25-12	1C048-25-12	20	3/4	-12	19,1	M38x1,5	28	58	32	46
1C046-25-16	1C048-25-16	25	1	-16	25,4	M38x1,5	28	61	32	46
	1C048-32-20	32	1-1/4	-20	31,8	M45x1,5	35	78	31	55
	1C048-42-24	40	1.1/2	-24	38,1	M52x1,5	42	77	39	60
	1C048-50-32	50	2	-32	50,8	M65x2	50	78	29	75

Material: steel chromium(VI) free plated

Information about standard products or non-standard products can be found in the current price list. Dimensions shown may be changed at any time without prior notice.

C3 – Female Metric – Light Series – Swivel – Straight (Ball Nose)

DKL



Approved fitting series for hose types:

	46	441 / 441RH / 461LT / 462 / 462ST / 463 / 492 / 492ST / 692 / 692 TWIN
	48	301SN / 302 / 421RH / 421SN / 422 / 426 / 436 / 441 / 451TC / 471TC / 472TC / 493 / 811 / 881

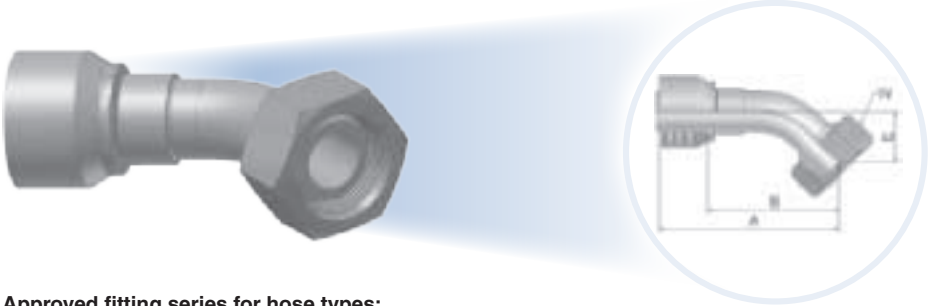
XXXX-XX-XX Part Number 		 Hose I.D.				 Thread metric	 Tube O.D.	A	B	W
DN	Inch	Size	mm	mm	mm	mm	mm	mm	mm	
1C346-6-4	1C348-6-4	6	1/4	-4	6,3	M12x1,5	6	46	22	14
1C346-8-4	1C348-8-4	6	1/4	-4	6,3	M14x1,5	8	45	21	17
1C346-10-4	1C348-10-4	6	1/4	-4	6,3	M16x1,5	10	46	22	19
1C346-10-5	1C348-10-5	8	5/16	-5	7,9	M16x1,5	10	46	22	19
1C346-12-5	1C348-12-5	8	5/16	-5	7,9	M18x1,5	12	46	22	22
1C346-10-6	1C348-10-6	10	3/8	-6	9,5	M16x1,5	10	47	24	19
1C346-12-6	1C348-12-6	10	3/8	-6	9,5	M18x1,5	12	46	23	22
1C346-15-8	1C348-15-8	12	1/2	-8	12,7	M22x1,5	15	48	25	27
1C346-15-10	1C348-15-10	16	5/8	-10	15,9	M22x1,5	15	52	27	27
1C346-18-10	1C348-18-10	16	5/8	-10	15,9	M26x1,5	18	51	26	32
1C346-22-12	1C348-22-12	20	3/4	-12	19,1	M30x2	22	54	28	36
1C346-28-16	1C348-28-16	25	1	-16	25,4	M36x2	28	63	33	41
1C346-35-20		32	1-1/4	-20	31,8	M45x2	35	62	24	50

Material: steel chromium(VI) free plated

Information about standard products or non-standard products can be found in the current price list.
Dimensions shown may be changed at any time without prior notice.

C4 – Female Metric – Light Series – Swivel – 45° Elbow (Ball Nose)

DKL 45°



Approved fitting series for hose types:

	46	441 / 441RH / 461LT / 462 / 462ST / 463 / 492 / 492ST / 692 / 692 TWIN
	48	301SN / 302 / 421RH / 421SN / 422 / 426 / 436 / 441 / 451TC / 471TC / 472TC / 493 / 811 / 881

XXXX-XX-XX Part Number 	Hose I.D.				Thread metric	Tube O.D.	A	B	E	W
	DN	Inch	Size	mm						
1C448-8-4	6	1/4	-4	6,3	M14x1,5	8	57	33	14	17
1C448-10-5	8	5/16	-5	7,9	M16x1,5	10	58	34	15	19
1C448-12-6	10	3/8	-6	9,5	M18x1,5	12	67	44	18	22
1C448-15-8	12	1/2	-8	12,7	M22x1,5	15	68	45	19	27

Material: steel chromium(VI) free plated

Information about standard products or non-standard products can be found in the current price list. Dimensions shown may be changed at any time without prior notice.

C5 – Female Metric – Light Series – Swivel – 90° Elbow (Ball Nose)

DKL 90°



Approved fitting series for hose types:

	46	441 / 441RH / 461LT / 462 / 462ST / 463 / 492 / 492ST / 692 / 692 TWIN
	48	301SN / 302 / 421RH / 421SN / 422 / 426 / 436 / 441 / 451TC / 471TC / 472TC / 493 / 811 / 881

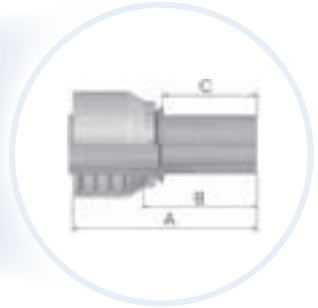
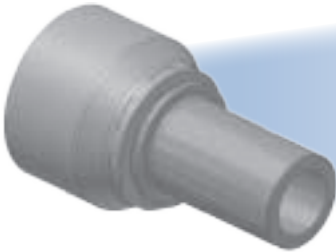
XXXX-XX-XX Part Number 		 Hose I.D.				 Thread metric	Tube O.D.	A	B	E	W
DN	Inch	Size	mm		mm	mm	mm	mm	mm	mm	
1C546-6-4	1C548-6-4	6	1/4	-4	6,3	M12x1,5	6	49	25	29	14
1C546-8-4	1C548-8-4	6	1/4	-4	6,3	M14x1,5	8	48	25	26	17
1C546-10-4	1C548-10-4	6	1/4	-4	6,3	M16x1,5	10	49	25	27	19
1C546-10-5	1C548-10-5	8	5/16	-5	7,9	M16x1,5	10	61	38	33	19
	1C548-12-5	8	5/16	-5	7,9	M18x1,5	12	50	26	28	22
1C546-10-6	1C548-10-6	10	3/8	-6	9,5	M16x1,5	10	58	35	35	19
1C546-12-6	1C548-12-6	10	3/8	-6	9,5	M18x1,5	12	58	35	34	22
1C546-15-8	1C548-15-8	12	1/2	-8	12,7	M22x1,5	15	64	41	39	27
1C546-18-10	1C548-18-10	16	5/8	-10	15,9	M26x1,5	18	66	41	43	32
1C546-22-12	1C548-22-12	20	3/4	-12	19,1	M30x2	22	80	54	51	36
1C546-28-16	1C548-28-16	25	1	-16	25,4	M36x2	28	100	70	70	41

Material: steel chromium(VI) free plated

Information about standard products or non-standard products can be found in the current price list. Dimensions shown may be changed at any time without prior notice.

1D – Metric Standpipe – Light Series – Rigid – Straight

ISO 8434-1 – BEL



Approved fitting series for hose types:

	46	441 / 441RH / 461LT / 462 / 462ST / 463 / 492 / 492ST / 692 / 692 TWIN
	48	301SN / 302 / 421RH / 421SN / 422 / 426 / 436 / 441 / 451TC / 471TC / 472TC / 493 / 811 / 881

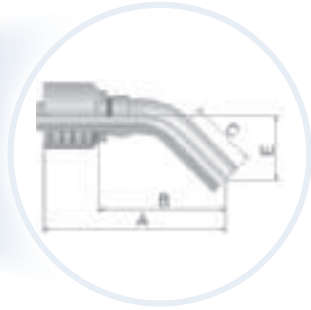
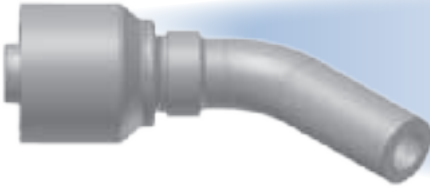
XXXX-XX-XX Part Number 		 Hose I.D.				Tube O.D.	A	B	C
DN	Inch	Size	mm	mm	mm				
11D46-6-4	11D48-6-4	6	1/4	-4	6,3	6	54	30	22
11D46-8-4	11D48-8-4	6	1/4	-4	6,3	8	54	30	22
11D46-10-4	11D48-10-4	6	1/4	-4	6,3	10	55	31	23
11D46-12-4	11D48-12-4	6	1/4	-4	6,3	12	55	31	23
11D46-10-5	11D48-10-5	8	5/16	-5	7,9	10	55	31	23
11D46-10-6	11D48-10-6	10	3/8	-6	9,5	10	54	31	23
11D46-12-6	11D48-12-6	10	3/8	-6	9,5	12	54	31	23
11D46-15-6	11D48-15-6	10	3/8	-6	9,5	15	55	32	25
11D46-12-8	11D48-12-8	12	1/2	-8	12,7	12	55	31	23
11D46-15-8	11D48-15-8	12	1/2	-8	12,7	15	57	33	25
11D46-18-10	11D48-18-10	16	5/8	-10	15,9	18	59	34	26
11D46-22-12	11D48-22-12	20	3/4	-12	19,1	22	62	36	28
11D46-28-16	11D48-28-16	25	1	-16	25,4	28	70	40	30

Not recommended for new construction. Instead use C3 or CA. Should be assembled with cutting ring and nut.
Material: steel chromium(VI) free plated

Information about standard products or non-standard products can be found in the current price list.
Dimensions shown may be changed at any time without prior notice.

DD – Metric Standpipe – Light Series – Rigid – 45° Elbow

BEL 45°



Approved fitting series for hose types:

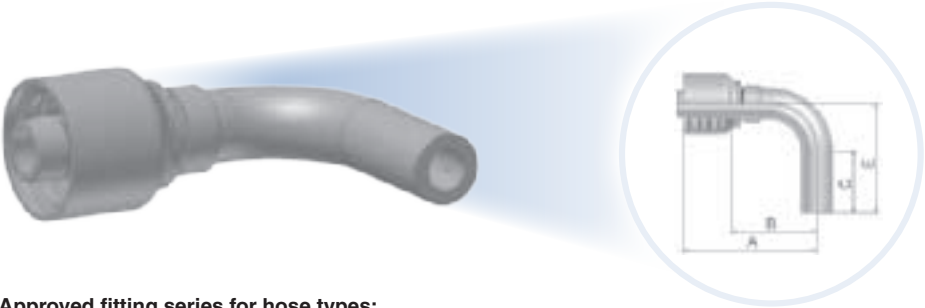
	46	441 / 441RH / 461LT / 462 / 462ST / 463 / 492 / 492ST / 692 / 692 TWIN
	48	301SN / 302 / 421RH / 421SN / 422 / 426 / 436 / 441 / 451TC / 471TC / 472TC / 493 / 811 / 881

XXXX-XX-XX Part Number 46 48	 Hose I.D.				 Tube O.D.	A	B	C	E
	DN	Inch	Size	mm		mm	mm	mm	mm
1DD48-6-4	6	1/4	-4	6,3	6	68	45	21	19
1DD48-8-4	6	1/4	-4	6,3	8	69	46	22	19
1DD48-12-6	10	3/8	-6	9,5	12	72	49	22	21

Not recommended for new construction. Instead use CE. Should be used with cutting ring and nut.
Material: steel chromium(VI) free plated

5D – Metric Standpipe – Light Series – Rigid – 90° Elbow

ISO 8434-1 – BEL 90°



Approved fitting series for hose types:

	46	441 / 441RH / 461LT / 462 / 462ST / 463 / 492 / 492ST / 692 / 692 TWIN
	48	301SN / 302 / 421RH / 421SN / 422 / 426 / 436 / 441 / 451TC / 471TC / 472TC / 493 / 811 / 881

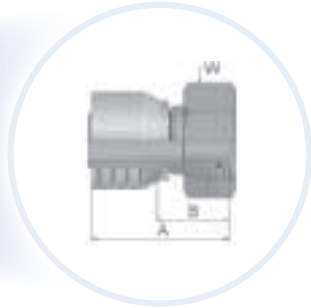
XXXX-XX-XX Part Number 	 Hose I.D.				Tube O.D.	A	B	C	E
	DN	Inch	Size	mm					
15D48-6-4	6	1/4	-4	6,3	6	56	33	19	30
15D48-8-4	6	1/4	-4	6,3	8	57	34	22	34
15D48-10-5	8	5/16	-5	7,9	10	58	35	25	38
15D48-12-6	10	3/8	-6	9,5	12	62	39	27	44
15D48-15-8	12	1/2	-8	12,7	15	65	41	30	52

Not recommended for new construction. Instead use CF. Should be used with cutting ring and nut.
Material: steel chromium(VI) free plated

Information about standard products or non-standard products can be found in the current price list.
Dimensions shown may be changed at any time without prior notice.

C9 – Female Metric 24° – Heavy Series with O-ring – Swivel – Straight

ISO 12151-2-SWS-S, DKOS



Approved fitting series for hose types:



46

441 / 441RH / 461LT / 462 / 462ST / 463 / 492 / 492ST / 692 / 692 TWIN



48

301SN / 302 / 421RH / 421SN / 422 / 426 / 436 / 441 / 451TC / 471TC / 472TC / 493 / 811 / 881

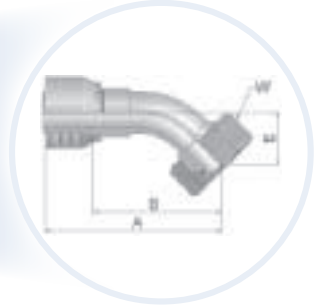
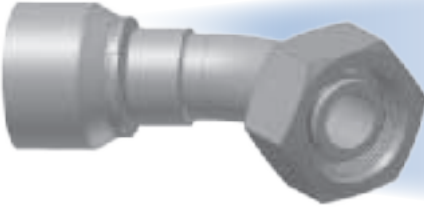
XXXX-XX-XX Part Number		Hose I.D.				Thread metric	Tube O.D.	A	B	W
46 48		DN	Inch	Size	mm		mm	mm	mm	mm
1C946-6-4	1C948-6-4	6	1/4	-4	6,3	M14x1,5	6	48	26	17
1C946-8-4	1C948-8-4	6	1/4	-4	6,3	M16x1,5	8	47	23	19
1C946-10-4	1C948-10-4	6	1/4	-4	6,3	M18x1,5	10	46	22	22
1C946-12-4	1C948-12-4	6	1/4	-4	6,3	M20x1,5	12	48	24	24
1C946-14-4	1C948-14-4	6	1/4	-4	6,3	M22x1,5	14	48	24	27
1C946-8-5	1C948-8-5	8	5/16	-5	7,9	M16x1,5	8	46	23	19
1C946-10-5	1C948-10-5	8	5/16	-5	7,9	M18x1,5	10	46	22	22
1C946-12-5	1C948-12-5	8	5/16	-5	7,9	M20x1,5	12	48	24	24
1C946-14-5	1C948-14-5	8	5/16	-5	7,9	M22x1,5	14	48	24	27
1C946-16-5	1C948-16-5	8	5/16	-5	7,9	M24x1,5	16	52	28	30
1C946-8-6	1C948-8-6	10	3/8	-6	9,5	M16x1,5	8	49	26	19
1C946-10-6	1C948-10-6	10	3/8	-6	9,5	M18x1,5	10	45	23	22
1C946-12-6	1C948-12-6	10	3/8	-6	9,5	M20x1,5	12	48	25	24
1C946-14-6	1C948-14-6	10	3/8	-6	9,5	M22x1,5	14	47	24	27
1C946-16-6	1C948-16-6	10	3/8	-6	9,5	M24x1,5	16	50	28	30
1C946-12-8	1C948-12-8	12	1/2	-8	12,7	M20x1,5	12	52	28	24
1C946-14-8	1C948-14-8	12	1/2	-8	12,7	M22x1,5	14	48	24	27
1C946-16-8	1C948-16-8	12	1/2	-8	12,7	M24x1,5	16	52	28	30
1C946-20-8	1C948-20-8	12	1/2	-8	12,7	M30x2	20	53	29	36
1C946-16-10	1C948-16-10	16	5/8	-10	15,9	M24x1,5	16	54	28	30
1C946-20-10	1C948-20-10	16	5/8	-10	15,9	M30x2	20	53	28	36
1C946-20-12	1C948-20-12	20	3/4	-12	19,1	M30x2	20	56	30	36
1C946-25-12	1C948-25-12	20	3/4	-12	19,1	M36x2	25	61	35	46
1C946-25-16	1C948-25-16	25	1	-16	25,4	M36x2	25	63	33	46
1C946-30-16	1C948-30-16	25	1	-16	25,4	M42x2	30	67	38	50
1C946-38-20°		32	1-1/4	-20	31,8	M52x2	38	69	32	60
	1C948-38-20°	32	1-1/4	-20	31,8	M52x2	38	80	33	60

Hose fittings are delivered with ozone resistant Nitrile (NBR) O-ring as a standard version. Working temperature from -30 °C up to +105 °C.
Hose fittings with special O-rings (Viton or EPDM) available on request. For O-ring dimensions and part-numbers see Section Eb.
Material: steel chromium(VI) free plated; *Assembly only with Parkrimp 2 machine

Information about standard products or non-standard products can be found in the current price list.
Dimensions shown may be changed at any time without prior notice.

0C – Female Metric 24° – Heavy Series with O-ring – Swivel – 45° Elbow

ISO 12151-2 – SWE 45°-S, DKOS 45°



Approved fitting series for hose types:

	46	441 / 441RH / 461LT / 462 / 462ST / 463 / 492 / 492ST / 692 / 692 TWIN
	48	301SN / 302 / 421RH / 421SN / 422 / 426 / 436 / 441 / 451TC / 471TC / 472TC / 493 / 811 / 881

XXXX-XX-XX Part Number		Hose I.D.				Thread metric	Tube O.D.	A	B	E	W
		DN	Inch	Size	mm						
10C46-6-4	10C48-6-4	6	1/4	-4	6,3	M14x1,5	6	61	37	17	17
10C46-8-4	10C48-8-4	6	1/4	-4	6,3	M16x1,5	8	59	35	16	19
10C46-10-4	10C48-10-4	6	1/4	-4	6,3	M18x1,5	10	59	35	16	22
10C46-12-4	10C48-12-4	6	1/4	-4	6,3	M20x1,5	12	72	48	17	24
10C46-10-5	10C48-10-5	8	5/16	-5	7,9	M18x1,5	10	62	38	17	22
10C46-12-5	10C48-12-5	8	5/16	-5	7,9	M20x1,5	12	71	47	17	24
10C46-10-6	10C48-10-6	10	3/8	-6	9,5	M18x1,5	10	70	47	19	22
10C46-12-6	10C48-12-6	10	3/8	-6	9,5	M20x1,5	12	69	46	20	24
10C46-14-6	10C48-14-6	10	3/8	-6	9,5	M22x1,5	14	69	46	20	27
10C46-14-8	10C48-14-8	12	1/2	-8	12,7	M22x1,5	14	70	46	22	27
10C46-16-8	10C48-16-8	12	1/2	-8	12,7	M24x1,5	16	72	49	23	30
10C46-16-10	10C48-16-10	16	5/8	-10	15,9	M24x1,5	16	78	52	24	30
10C46-20-10	10C48-20-10	16	5/8	-10	15,9	M30x2	20	77	51	25	36
10C46-20-12	10C48-20-12	20	3/4	-12	19,1	M30x2	20	91	65	28	36
10C46-25-12	10C48-25-12	20	3/4	-12	19,1	M36x2	25	91	65	29	46
10C46-25-16		25	1	-16	25,4	M36x2	25	110	80	33	46
	10C48-25-16	25	1	-16	25,4	M36x2	30	110	80	33	46
10C46-30-16	10C48-30-16	25	1	-16	25,4	M42x2	30	116	86	36	50
10C46-38-20°		32	1-1/4	-20	31,8	M52x2	38	136	98	38	60
	10C48-38-20°	32	1-1/4	-20	31,8	M52x2	38	142	95	38	60°

Hose fittings are delivered with ozone resistant Nitrile (NBR) O-ring as a standard version. Working temperature from -30 °C up to +105 °C.
 Hose fittings with special O-rings(Viton or EPDM) available on request. For O-ring dimensions and part-numbers see Section Eb.
 *Assembly only with Parkrimp 2 machine
 Material: steel chromium(VI) free plated

Information about standard products or non-standard products can be found in the current price list.
 Dimensions shown may be changed at any time without prior notice.

1C – Female Metric 24° – Heavy Series with O-ring – Swivel – 90° Elbow

ISO 12151-2 – SWE-S, DKOS 90°



Approved fitting series for hose types:

	46	441 / 441RH / 461LT / 462 / 462ST / 463 / 492 / 492ST / 692 / 692 TWIN
	48	301SN / 302 / 421RH / 421SN / 422 / 426 / 436 / 441 / 451TC / 471TC / 472TC / 493 / 811 / 881

XXXX-XX-XX Part Number 		 Hose I.D.				 Thread metric	 Tube O.D.	A	B	E	 W
DN	Inch	Size	mm	mm	mm	mm	mm	mm	mm	mm	
11C46-6-4	11C48-6-4	6	1/4	-4	6,3	M14x1,5	6	62	38	32	17
11C46-8-4	11C48-8-4	6	1/4	-4	6,3	M16x1,5	8	50	26	29	19
11C46-10-4	11C48-10-4	6	1/4	-4	6,3	M18x1,5	10	50	26	29	22
11C46-12-4	11C48-12-4	6	1/4	-4	6,3	M20x1,5	12	62	38	31	24
11C46-10-5	11C48-10-5	8	5/16	-5	7,9	M18x1,5	10	60	36	31	22
11C46-12-5	11C48-12-5	8	5/16	-5	7,9	M20x1,5	12	60	36	32	24
11C46-10-6	11C48-10-6	10	3/8	-6	9,5	M18x1,5	10	59	36	36	22
11C46-12-6	11C48-12-6	10	3/8	-6	9,5	M20x1,5	12	58	35	37	24
11C46-14-6	11C48-14-6	10	3/8	-6	9,5	M22x1,5	14	58	35	37	27
11C46-14-8	11C48-14-8	12	1/2	-8	12,7	M22x1,5	14	62	38	42	27
11C46-16-8	11C48-16-8	12	1/2	-8	12,7	M24x1,5	16	61	37	45	30
11C46-16-10	11C48-16-10	16	5/8	-10	15,9	M24x1,5	16	66	41	48	30
11C46-20-10	11C48-20-10	16	5/8	-10	15,9	M30x2	20	65	40	48	36
11C46-20-12	11C48-20-12	20	3/4	-12	19,1	M30x2	20	80	54	58	36
11C46-25-10	11C48-25-10	16	5/8	-10	15,9	M36x2	25	65	40	52	46
11C46-25-12	11C48-25-12	20	3/4	-12	19,1	M36x2	25	80	54	59	46
11C46-25-16	11C48-25-16	25	1	-16	25,4	M36x2	25	102	72	71	46
11C46-30-16	11C48-30-16	25	1	-16	25,4	M42x2	30	105	75	75	50
11C46-38-20°		32	1-1/4	-20	31,8	M52x2	38	124	86	80	60
	11C48-38-20°	32	1-1/4	-20	31,8	M52x2	38	130	83	80	60

Hose fittings are delivered with ozone resistant Nitrile (NBR) O-ring as a standard version. Working temperature from -30 °C up to +105 °C.

Hose fittings with special O-rings (Viton or EPDM) available on request.

For O-ring dimensions and part-numbers see Section Bb.

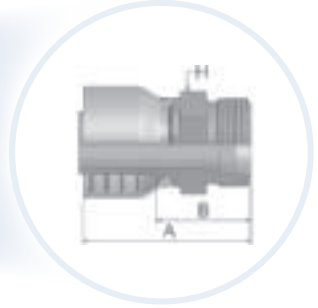
Material: steel chromium(VI) free plated

°Assembly only with Parkrimp 2 machine

Information about standard products or non-standard products can be found in the current price list.
Dimensions shown may be changed at any time without prior notice.

D2 – Male Metric 24° – Heavy Series – Rigid – Straight

ISO 12151-2-S-S, CES



Approved fitting series for hose types:

	46	441 / 441RH / 461LT / 462 / 462ST / 463 / 492 / 492ST / 692 / 692 TWIN
	48	301SN / 302 / 421RH / 421SN / 422 / 426 / 436 / 441 / 451TC / 471TC / 472TC / 493 / 811 / 881

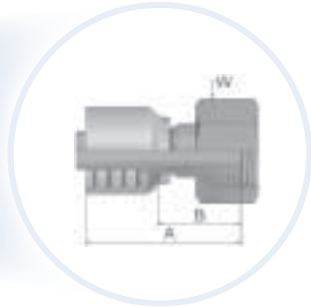
XXXX-XX-XX Part Number 		 Hose I.D.				 Thread metric	Tube O.D.	A	B	 H
DN	Inch	Size	mm	mm	mm	mm	mm	mm	mm	
1D246-6-4	1D248-6-4	6	1/4	-4	6,3	M14x1,5	6	48	24	14
1D246-8-4	1D248-8-4	6	1/4	-4	6,3	M16x1,5	8	48	24	17
1D246-10-4	1D248-10-4	6	1/4	-4	6,3	M18x1,5	10	50	26	19
1D246-12-4	1D248-12-4	6	1/4	-4	6,3	M20x1,5	12	49	26	22
1D246-8-5	1D248-8-5	8	5/16	-5	7,9	M16x1,5	8	48	24	17
1D246-10-5	1D248-10-5	8	5/16	-5	7,9	M18x1,5	10	50	26	19
1D246-12-5	1D248-12-5	8	5/16	-5	7,9	M20x1,5	12	50	26	22
1D246-14-5	1D248-14-5	8	5/16	-5	7,9	M22x1,5	14	51	28	22
1D246-10-6	1D248-10-6	10	3/8	-6	9,5	M18x1,5	10	50	27	19
1D246-12-6	1D248-12-6	10	3/8	-6	9,5	M20x1,5	12	49	26	22
1D246-14-6	1D248-14-6	10	3/8	-6	9,5	M22x1,5	14	51	28	22
1D246-12-8	1D248-12-8	12	1/2	-8	12,7	M20x1,5	12	50	26	22
1D246-16-8	1D248-16-8	12	1/2	-8	12,7	M24x1,5	16	53	29	24
1D246-16-10	1D248-16-10	16	5/8	-10	15,9	M24x1,5	16	56	31	24
1D246-20-10	1D248-20-10	16	5/8	-10	15,9	M30x2	20	58	32	30
1D246-20-12	1D248-20-12	20	3/4	-12	19,1	M30x2	20	61	35	30
1D246-25-12	1D248-25-12	20	3/4	-12	19,1	M36x2	25	64	38	36
1D246-25-16	1D248-25-16	25	1	-16	25,4	M36x2	25	69	39	36
1D246-30-16	1D248-30-16	25	1	-16	25,4	M42x2	30	72	42	46
1D246-38-20		32	1-1/4	-20	31,8	M52x2	38	84	46	55
	1D248-38-20	32	1-1/4	-20	31,8	M52x2	38	91	44	55

Material: steel chromium(VI) free plated

Information about standard products or non-standard products can be found in the current price list. Dimensions shown may be changed at any time without prior notice.

C6 – Female Metric – Heavy Series – Swivel – Straight (Ball Nose)

DKS



Approved fitting series for hose types:

	46	441 / 441RH / 461LT / 462 / 462ST / 463 / 492 / 492ST / 692 / 692 TWIN
	48	301SN / 302 / 421RH / 421SN / 422 / 426 / 436 / 441 / 451TC / 471TC / 472TC / 493 / 811 / 881

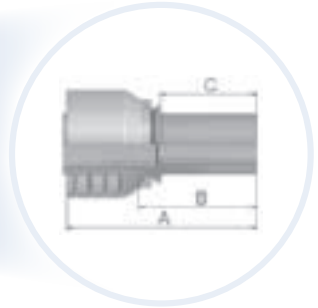
XXXX-XX-XX Part Number 	Hose I.D. 				Thread metric 	Tube O.D.	A	B	W
	DN	Inch	Size	mm					
1C646-6-4	6	1/4	-4	6,3	M14x1,5	6	45	21	17
1C646-8-4	8	1/4	-4	6,3	M16x1,5	8	46	23	19
1C646-10-4	10	1/4	-4	6,3	M18x1,5	10	46	22	22
1C646-12-5	12	5/16	-5	7,9	M20x1,5	12	49	25	24
	10	3/8	-6	9,5	M20x1,5	12	48	25	24
1C646-14-6	14	3/8	-6	9,5	M22x1,5	14	47	24	27
1C646-16-8	16	1/2	-8	12,7	M24x1,5	16	51	28	30

Material: steel chromium(VI) free plated

Information about standard products or non-standard products can be found in the current price list. Dimensions shown may be changed at any time without prior notice.

3D – Metric Standpipe – Heavy Series – Rigid – Straight

ISO 8434-1 – BES



Approved fitting series for hose types:

	46	441 / 441RH / 461LT / 462 / 462ST / 463 / 492 / 492ST / 692 / 692 TWIN
	48	301SN / 302 / 421RH / 421SN / 422 / 426 / 436 / 441 / 451TC / 471TC / 472TC / 493 / 811 / 881

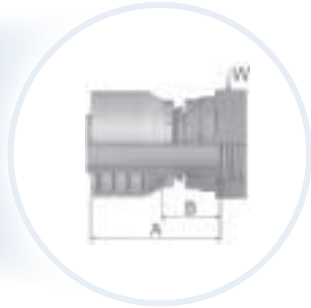
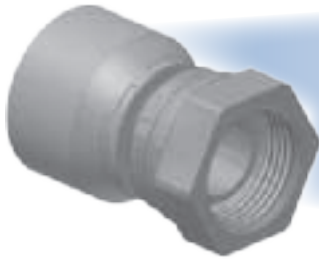
XXXX-XX-XX Part Number		 Hose I.D.				Tube O.D.	A	B	C
		DN	Inch	Size	mm				
13D46-6-4	13D48-6-4	6	1/4	-4	6,3	6	56	32	24
13D46-8-4	13D48-8-4	6	1/4	-4	6,3	8	56	32	24
13D46-10-4	13D48-10-4	6	1/4	-4	6,3	10	58	34	26
13D46-12-5	13D48-12-5	8	5/16	-5	7,9	12	58	34	26
13D46-10-6	13D48-10-6	10	3/8	-6	9,5	10	57	34	26
13D46-12-6	13D48-12-6	10	3/8	-6	9,5	12	57	34	26
13D46-14-6	13D48-14-6	10	3/8	-6	9,5	14	60	37	29
13D46-16-8	13D48-16-8	12	1/2	-8	12,7	16	61	38	30
13D46-20-10	13D48-20-10	16	5/8	-10	15,9	20	69	44	36
13D46-20-12	13D48-20-12	20	3/4	-12	19,1	20	70	44	36
13D46-25-12	13D48-25-12	20	3/4	-12	19,1	25	74	48	40

Not recommended for new construction. Instead use C9. Should be used with cutting ring and nut.
Material: steel chromium(VI) free plated

Information about standard products or non-standard products can be found in the current price list.
Dimensions shown may be changed at any time without prior notice.

92 – Female BSP Parallel Pipe – Swivel – Straight (60° Cone)

BS5200-A, DKR



Approved fitting series for hose types:

	46	441 / 441RH / 461LT / 462 / 462ST / 463 / 492 / 492ST / 692 / 692 TWIN
	48	301SN / 302 / 421RH / 421SN / 422 / 426 / 436 / 441 / 451TC / 471TC / 472TC / 493 / 811 / 881

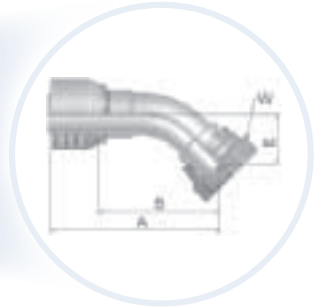
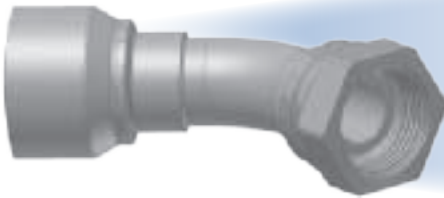
XXXXXX		Hose I.D.				Thread BSP	A mm	B mm	W mm
Part Number		DN	Inch	Size	mm				
19246-2-4	19248-2-4	6	1/4	-4	6,3	1/8x28	41	17	14
19246-4-4	19248-4-4	6	1/4	-4	6,3	1/4x19	43	19	19
19246-6-4	19248-6-4	6	1/4	-4	6,3	3/8x19	44	20	22
19246-8-4	19248-8-4	6	1/4	-4	6,3	1/2x14	49	25	27
19246-4-5	19248-4-5	8	5/16	-5	7,9	1/4x19	43	19	19
19246-6-5	19248-6-5	8	5/16	-5	7,9	3/8x19	44	20	22
19246-4-6	19248-4-6	10	3/8	-6	9,5	1/4x19	43	20	19
19246-6-6	19248-6-6	10	3/8	-6	9,5	3/8x19	43	20	22
19246-8-6	19248-8-6	10	3/8	-6	9,5	1/2x14	45	22	27
19246-6-8	19248-6-8	12	1/2	-8	12,7	3/8x19	45	21	22
19246-8-8	19248-8-8	12	1/2	-8	12,7	1/2x14	46	22	27
19246-10-8	19248-10-8	12	1/2	-8	12,7	5/8x14	44	21	30
19246-12-8	19248-12-8	12	1/2	-8	12,7	3/4x14	47	23	32
19246-8-10	19248-8-10	16	5/8	-10	15,9	1/2x14	48	22	27
19246-10-10	19248-10-10	16	5/8	-10	15,9	5/8x14	46	20	30
19246-12-10	19248-12-10	16	5/8	-10	15,9	3/4x14	47	22	32
19246-8-12	19248-8-12	20	3/4	-12	19,1	1/2x14	49	23	27
19246-10-12	19248-10-12	20	3/4	-12	19,1	5/8x14	48	22	30
19246-12-12	19248-12-12	20	3/4	-12	19,1	3/4x14	49	23	32
19246-16-12	19248-16-12	20	3/4	-12	19,1	1x11	51	25	41
19246-16-16	19248-16-16	25	1	-16	25,4	1x11	55	25	41
19246-20-20		32	1-1/4	-20	31,8	1-1/4x11	68	31	50
	19248-20-20	32	1-1/4	-20	31,8	1-1/4x11	79	32	50
	19248-24-24	40	1-1/2	-24	38,1	1-1/2x11	71	33	60
	19248-24-24C	40	1-1/2	-24	38,1	1-1/2x11	71	33	60
	19248-32-32	50	2	-32	50,8	2x11	84	35	70
	19248-32-32C	50	2	-32	50,8	2x11	84	35	70

Material: steel chromium(VI) free plated

Information about standard products or non-standard products can be found in the current price list.
Dimensions shown may be changed at any time without prior notice.

B1 – Female BSP Parallel Pipe – Swivel – 45° Elbow (60° Cone)

BS 5200-D, DKR 45°



Approved fitting series for hose types:

46	441 / 441RH / 461LT / 462 / 462ST / 463 / 492 / 492ST / 692 / 692 TWIN
48	301SN / 302 / 421RH / 421SN / 422 / 426 / 436 / 441 / 451TC / 471TC / 472TC / 493 / 811 / 881

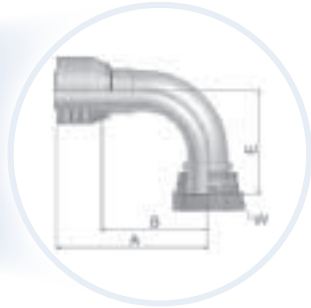
XXXX-XX-XX Part Number 46 48		Hose I.D. DN Inch Size mm				Thread BSP	A mm	B mm	E mm	W mm
1B146-4-4	1B148-4-4	6	1/4	-4	6,3	1/4x19	59	35	16	19
1B146-6-4	1B148-6-4	6	1/4	-4	6,3	3/8x19	59	35	15	22
1B146-6-5	1B148-6-5	8	5/16	-5	7,9	3/8x19	60	36	15	22
1B146-6-6	1B148-6-6	10	3/8	-6	9,5	3/8x19	69	46	17	22
1B146-8-6	1B148-8-6	10	3/8	-6	9,5	1/2x14	63	40	17	27
1B146-6-8	1B148-6-8	12	1/2	-8	12,7	3/8x19	72	49	21	22
1B146-8-8	1B148-8-8	12	1/2	-8	12,7	1/2x14	72	48	20	27
1B146-10-8	1B148-10-8	12	1/2	-8	12,7	5/8x14	69	46	19	30
1B146-10-10	1B148-10-10	16	5/8	-10	15,9	5/8x14	78	53	22	30
1B146-12-10	1B148-12-10	16	5/8	-10	15,9	3/4x14	75	49	21	32
1B146-12-12	1B148-12-12	20	3/4	-12	19,1	3/4x14	87	61	25	32
1B146-16-12	1B148-16-12	20	3/4	-12	19,1	1x11	88	62	26	41
1B146-16-16	1B148-16-16	25	1	-16	25,4	1x11	106	76	31	41
1B146-20-20		32	1-1/4	-20	31,8	1-1/4x11	133	95	35	50
	1B148-20-20	32	1-1/4	-20	31,8	1-1/4x11	139	91	35	50
	1B148-24-24	40	1-1/2	-24	38,1	1-1/2x11	146	108	38	55
	1B148-32-32	50	2	-32	50,8	2x11	190	141	46	70

Material: steel chromium(VI) free plated

Information about standard products or non-standard products can be found in the current price list. Dimensions shown may be changed at any time without prior notice.

B2 – Female BSP Parallel Pipe – Swivel – 90° Elbow (60° Cone)

BS 5200-B, DKR 90



Approved fitting series for hose types:

	46	441 / 441RH / 461LT / 462 / 462ST / 463 / 492 / 492ST / 692 / 692 TWIN
	48	301SN / 302 / 421RH / 421SN / 422 / 426 / 436 / 441 / 451TC / 471TC / 472TC / 493 / 811 / 881

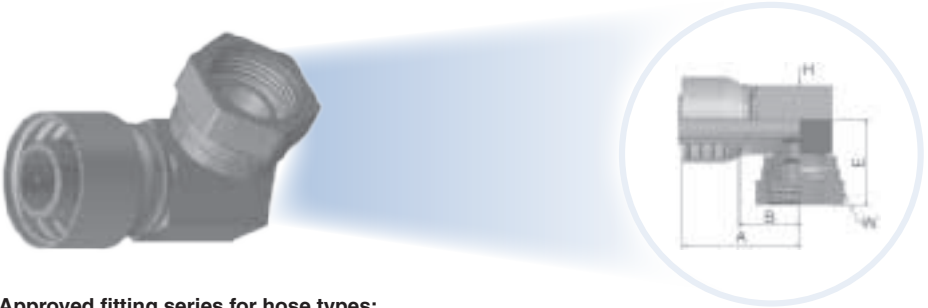
XXXX-XX-XX Part Number 		 Hose I.D.				 Thread BSP	A	B	E	 W
DN	Inch	Size	mm			mm	mm	mm	mm	
1B246-2-4	1B248-2-4	6	1/4	-4	6,3	1/8x28	50	26	28	14
1B246-4-4	1B248-4-4	6	1/4	-4	6,3	1/4x19	50	26	29	19
1B246-6-4	1B248-6-4	6	1/4	-4	6,3	3/8x19	51	28	27	22
1B246-8-4	1B248-8-4	6	1/4	-4	6,3	1/2x14	51	27	29	27
1B246-6-5	1B248-6-5	8	5/16	-5	7,9	3/8x19	52	28	28	22
1B246-6-6	1B248-6-6	10	3/8	-6	9,5	3/8x19	61	38	33	22
1B246-8-6	1B248-8-6	10	3/8	-6	9,5	1/2x14	60	38	36	27
1B246-6-8	1B248-6-8	12	1/2	-8	12,7	3/8x19	63	40	41	22
1B246-8-8	1B248-8-8	12	1/2	-8	12,7	1/2x14	63	40	41	27
1B246-10-8	1B248-10-8	12	1/2	-8	12,7	5/8x14	67	43	39	30
1B246-10-10	1B248-10-10	16	5/8	-10	15,9	5/8x14	70	45	44	30
1B246-12-10	1B248-12-10	16	5/8	-10	15,9	3/4x14	70	45	42	32
1B246-12-12	1B248-12-12	20	3/4	-12	19,1	3/4x14	80	54	53	32
1B246-16-12	1B248-16-12	20	3/4	-12	19,1	1x11	80	54	54	41
1B246-16-16	1B248-16-16	25	1	-16	25,4	1x11	105	75	69	41
1B246-20-20		32	1-1/4	-20	31,8	1-1/4x11	124	86	76	50
	1B248-20-20	32	1-1/4	-20	31,8	1-1/4x11	130	82	76	50
	1B248-20-20C	32	1-1/4	-20	31,8	1-1/4x11	130	82	76	50
	1B248-24-24	40	1-1/2	-24	38,1	1-1/2x11	140	102	86	55
	1B248-32-32	50	2	-32	50,8	2x11	185	137	106	70

Material: steel chromium(VI) free plated

Information about standard products or non-standard products can be found in the current price list.
Dimensions shown may be changed at any time without prior notice.

B4 – Female BSP Parallel Pipe – Swivel – 90° Elbow Block Type (60° Cone)

BS 5200-E



Approved fitting series for hose types:

	46	441 / 441RH / 461LT / 462 / 462ST / 463 / 492 / 492ST / 692 / 692 TWIN
	48	301SN / 302 / 421RH / 421SN / 422 / 426 / 436 / 441 / 451TC / 471TC / 472TC / 493 / 811 / 881

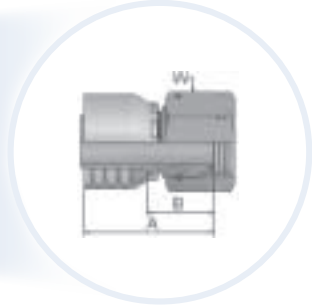
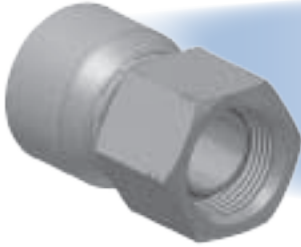
XXXX-XX-XX Part Number		Hose I.D.				Thread BSP	A	B	E	H	W
		DN	Inch	Size	mm		mm	mm	mm	mm	mm
1B446-4-4	1B448-4-4	6	1/4	-4	6,3	1/4x19	58	34	22	17	19
1B446-6-4	1B448-6-4	6	1/4	-4	6,3	3/8x19	43	20	22	17	22
1B446-6-6	1B448-6-6	10	3/8	-6	9,5	3/8x19	68	45	23	19	22
1B446-8-6	1B448-8-6	10	3/8	-6	9,5	1/2x14	67	44	27	22	27
1B446-8-8	1B448-8-8	12	1/2	-8	12,7	1/2x14	67	44	27	22	27
1B446-10-10	1B448-10-10	16	5/8	-10	15,9	5/8x14	70	45	27	27	30
1B446-12-10	1B448-12-10	16	5/8	-10	15,9	3/4x14	71	46	33	32	32
1B446-12-12	1B448-12-12	20	3/4	-12	19,1	3/4x14	73	47	33	32	32
1B446-16-16	1B448-16-16	25	1	-16	25,4	1x11	82	52	45	36	41

Short version available upon request (swaging on universal crimpers only)
Material: steel chromium(VI) free plated

Information about standard products or non-standard products can be found in the current price list.
Dimensions shown may be changed at any time without prior notice.

EA - BSP Swivel Female with O-ring (60° Cone)

BS 5200, ISO 12151-6 – DKOR



Approved fitting series for hose types:

	46	441 / 441RH / 461LT / 462 / 462ST / 463 / 492 / 492ST / 692 / 692 TWIN
	48	301SN / 302 / 421RH / 421SN / 422 / 426 / 436 / 441 / 451TC / 471TC / 472TC / 493 / 811 / 881

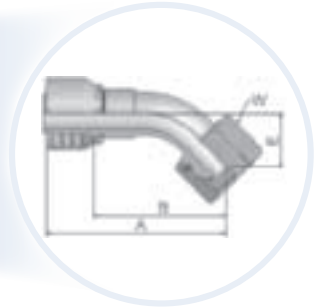
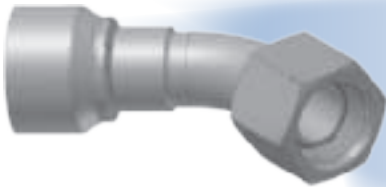
XXXX-XX-XX Part Number 		 Hose I.D.				 Thread BSP	A	B	W
DN	Inch	Size	mm			mm	mm	mm	
1EA46-4-4	1EA48-4-4	6	1/4	-4	6,3	1/4x19	45	21	19
1EA46-6-4	1EA48-6-4	6	1/4	-4	6,3	3/8x19	49	26	22
1EA46-6-6	1EA48-6-6	10	3/8	-6	9,5	3/8x19	48	26	22
1EA46-8-6	1EA48-8-6	10	3/8	-6	9,5	1/2x14	51	28	27
1EA46-8-8	1EA48-8-8	12	1/2	-8	12,7	1/2x14	52	28	27
1EA46-10-10	1EA48-10-10	16	5/8	-10	15,9	5/8x14	47	21	30
1EA46-12-10	1EA48-12-10	16	5/8	-10	15,9	3/4x14	54	29	32
1EA46-12-12	1EA48-12-12	20	3/4	-12	19,1	3/4x14	50	24	32
1EA46-16-12	1EA48-16-12	20	3/4	-12	19,1	1x11	61	35	41
1EA46-16-16	1EA48-16-16	25	1	-16	25,4	1x11	62	32	41
	1EA48-20-20	32	1-1/4	-20	31,8	1-1/4x11	78	31	50

Hose fittings are delivered with ozone resistant Nitrile (NBR) O-ring as a standard version. Working temperature from -30 °C up to +105 °C.
 Hose fittings with special O-rings (Viton or EPDM) available on request.
 For O-ring dimensions and part-numbers see Section Eb.
 Material: steel chromium(VI) free plated

Information about standard products or non-standard products can be found in the current price list.
 Dimensions shown may be changed at any time without prior notice.

EB – BSP Swivel Female with O-ring – 45° Elbow (60° Cone)

BSP 5200, ISO 12151-6 – DKOR 45°



Approved fitting series for hose types:

	46	441 / 441RH / 461LT / 462 / 462ST / 463 / 492 / 492ST / 692 / 692 TWIN
	48	301SN / 302 / 421RH / 421SN / 422 / 426 / 436 / 441 / 451TC / 471TC / 472TC / 493 / 811 / 881

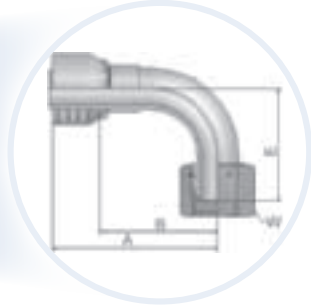
XXXX-XX-XX Part Number 		 Hose I.D.				 Thread BSP	A	B	E	 W
DN	Inch	Size	mm	mm	mm	mm	mm	mm	mm	
1EB46-4-4	1EB48-4-4	6	1/4	-4	6,3	1/4x19	59	35	16	19
1EB46-6-6	1EB48-6-6	10	3/8	-6	9,5	3/8x19	69	46	17	22
1EB46-8-8	1EB48-8-8	12	1/2	-8	12,7	1/2x14	72	48	20	27
1EB46-12-10	1EB48-12-10	16	5/8	-10	15,9	3/4x14	78	52	21	32
1EB46-12-12	1EB48-12-12	20	3/4	-12	19,1	3/4x14	89	63	27	32
1EB46-16-16	1EB48-16-16	25	1	-16	25,4	1x11	113	83	33	41

Hose fittings are delivered with ozone resistant Nitrile (NBR) O-ring as a standard version. Working temperature from -30 °C up to +105 °C.
Hose fittings with special O-rings (Viton or EPDM) available on request.
For O-ring dimensions and part-numbers see Section Eb.
Material: steel chromium(VI) free plated

Information about standard products or non-standard products can be found in the current price list.
Dimensions shown may be changed at any time without prior notice.

EC – **BSP Swivel Female with O-ring – 90° Elbow (60° Cone)**

BS 5200, ISO 12151-6 – DKOR 90°



Approved fitting series for hose types:

	46	441 / 441RH / 461LT / 462 / 462ST / 463 / 492 / 492ST / 692 / 692 TWIN
	48	301SN / 302 / 421RH / 421SN / 422 / 426 / 436 / 441 / 451TC / 471TC / 472TC / 493 / 811 / 881

XXXX-XX-XX Part Number 		 Hose I.D.				 Thread BSP	A	B	E	W
DN	Inch	Size	mm	mm	mm	mm	mm	mm	mm	
1EC46-4-4	1EC48-4-4	6	1/4	-4	6,3	1/4x19	50	26	28	19
1EC46-6-6	1EC48-6-6	10	3/8	-6	9,5	3/8x19	61	38	33	22
1EC46-8-6	1EC48-8-6	10	3/8	-6	9,5	1/2x14	60	38	36	27
1EC46-8-8	1EC48-8-8	12	1/2	-8	12,7	1/2x14	63	40	40	27
1EC46-10-8	1EC48-10-8	12	1/2	-8	12,7	5/8x14	63	40	39	30
1EC46-10-10	1EC48-10-10	16	5/8	-10	15,9	5/8x14	70	45	44	30
1EC46-12-10	1EC48-12-10	16	5/8	-10	15,9	3/4x14	70	45	42	32
1EC46-12-12	1EC48-12-12	20	3/4	-12	19,1	3/4x14	80	54	55	32
1EC46-16-12	1EC48-16-12	20	3/4	-12	19,1	1x11	80	54	59	41
1EC46-16-16	1EC48-16-16	25	1	-16	25,4	1x11	105	75	71	41
	1EC48-20-20	32	1.1/4	-20	31,8	1-1/4x11	130	82	76	50

Hose fittings are delivered with ozone resistant Nitrile (NBR) O-ring as a standard version. Working temperature from -30 °C up to +105 °C.
Hose fittings with special O-rings (Viton or EPDM) available on request.
For O-ring dimensions and part-numbers see Section Eb.
Material: steel chromium(VI) free plated

D9 – Male BSP Parallel Pipe – Rigid – Straight (60° Cone)

BS5200 – AGR



Approved fitting series for hose types:

	46	441 / 441RH / 461LT / 462 / 462ST / 463 / 492 / 492ST / 692 / 692 TWIN
	48	301SN / 302 / 421RH / 421SN / 422 / 426 / 436 / 441 / 451TC / 471TC / 472TC / 493 / 811 / 881

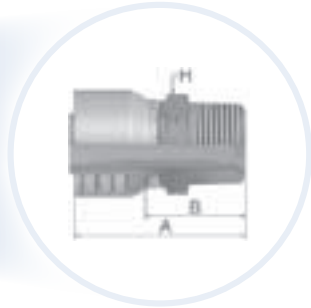
XXXX-XX-XX Part Number 		 Hose I.D. <table border="1"> <tr> <th>DN</th> <th>Inch</th> <th>Size</th> <th>mm</th> </tr> </table>				DN	Inch	Size	mm	 Thread BSP	A mm	B mm	H mm
DN	Inch	Size	mm										
1D946-2-4	1D948-2-4	6	1/4	-4	6,3	1/8x28	46	22	14				
1D946-4-4	1D948-4-4	6	1/4	-4	6,3	1/4x19	51	27	19				
1D946-6-4	1D948-6-4	6	1/4	-4	6,3	3/8x19	53	31	22				
1D946-8-4	1D948-8-4	6	1/4	-4	6,3	1/2x14	56	33	27				
1D946-4-5	1D948-4-5	8	5/16	-5	7,9	1/4x19	51	27	19				
1D946-6-5	1D948-6-5	8	5/16	-5	7,9	3/8x19	55	31	22				
1D946-4-6	1D948-4-6	10	3/8	-6	9,5	1/4x19	50	27	19				
1D946-6-6	1D948-6-6	10	3/8	-6	9,5	3/8x19	54	31	22				
1D946-8-6	1D948-8-6	10	3/8	-6	9,5	1/2x14	56	33	27				
1D946-6-8	1D948-6-8	12	1/2	-8	12,7	3/8x19	54	30	22				
1D946-8-8	1D948-8-8	12	1/2	-8	12,7	1/2x14	57	33	27				
1D946-10-8	1D948-10-8	12	1/2	-8	12,7	5/8x14	59	35	30				
1D946-12-8	1D948-12-8	12	1/2	-8	12,7	3/4x14	60	36	32				
1D946-8-10	1D948-8-10	16	5/8	-10	15,9	1/2x14	59	33	27				
1D946-10-10	1D948-10-10	16	5/8	-10	15,9	5/8x14	61	36	30				
1D946-12-10	1D948-12-10	16	5/8	-10	15,9	3/4x14	62	37	32				
1D946-12-12	1D948-12-12	20	3/4	-12	19,1	3/4x14	62	36	32				
1D946-16-12	1D948-16-12	20	3/4	-12	19,1	1x11	68	42	41				
1D946-16-16	1D948-16-16	25	1	-16	25,4	1x11	72	42	41				
1D946-20-20		32	1-1/4	-20	31,8	1-1/4x11	85	47	50				
	1D948-20-20	32	1-1/4	-20	31,8	1-1/4x11	92	45	50				
	1D948-24-24	40	1-1/2	-24	38,1	1-1/2x11	87	49	60				
	1D948-24-24C	40	1-1/2	-24	38,1	1-1/2x11	87	49	60				
	1D948-32-32	50	2	-32	50,8	2	102	54	70				

Material: steel chromium(VI) free plated

Information about standard products or non-standard products can be found in the current price list. Dimensions shown may be changed at any time without prior notice.

91 – Male BSP Taper Pipe – Rigid – Straight

BS5200 – AGR-K



Approved fitting series for hose types:

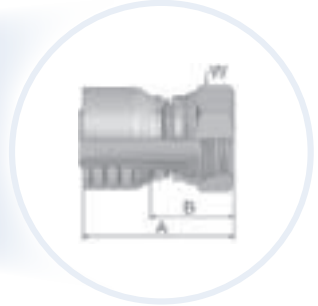
	46	441 / 441RH / 461LT / 462 / 462ST / 463 / 492 / 492ST / 692 / 692 TWIN
	48	301SN / 302 / 421RH / 421SN / 422 / 426 / 436 / 441 / 451TC / 471TC / 472TC / 493 / 811 / 881

XXXX-XX-XX Part Number 46 48		 Hose I.D.				 Thread BSP	A	B	H
		DN	Inch	Size	mm		mm	mm	mm
19146-4-4	19148-4-4	6	1/4	-4	6,3	1/4x19	49	26	14
19146-6-4	19148-6-4	6	1/4	-4	6,3	3/8x19	51	28	17
19146-4-5	19148-4-5	8	5/16	-5	7,9	1/4x19	48	24	14
19146-6-5	19148-6-5	8	5/16	-5	7,9	3/8x19	51	28	17
19146-4-6	19148-4-6	10	3/8	-6	9,5	1/4x19	47	24	14
19146-6-6	19148-6-6	10	3/8	-6	9,5	3/8x19	52	28	17
19146-8-6	19148-8-6	10	3/8	-6	9,5	1/2x14	57	34	22
19146-6-8	19148-6-8	12	1/2	-8	12,7	3/8x19	48	25	17
19146-8-8	19148-8-8	12	1/2	-8	12,7	1/2x14	57	33	22
19146-12-10	19148-12-10	16	5/8	-10	15,9	3/4x14	63	38	27
19146-12-12	19148-12-12	20	3/4	-12	19,1	3/4x14	63	37	27
19146-16-16	19148-16-16	25	1	-16	25,4	1x11	72	42	36

Material: steel chromium(VI) free plated

Information about standard products or non-standard products can be found in the current price list.
Dimensions shown may be changed at any time without prior notice.

B5 – Female BSP Parallel Pipe – Swivel – Straight (Flat Seat)



Approved fitting series for hose types:

	46	441 / 441RH / 461LT / 462 / 462ST / 463 / 492 / 492ST / 692 / 692 TWIN
	48	301SN / 302 / 421RH / 421SN / 422 / 426 / 436 / 441 / 451TC / 471TC / 472TC / 493 / 811 / 881

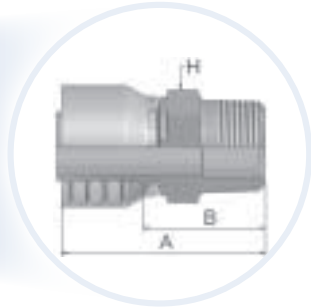
XXXX-XX-XX Part Number 		 Hose I.D.				 Thread BSP	A	B	 W
DN	Inch	Size	mm			mm	mm	mm	
1B546-4-4	1B548-4-4	6	1/4	-4	6,3	1/4x19	41	17	19
1B546-4-5	1B548-4-5	8	5/16	-5	7,9	1/4x19	41	17	19
1B546-6-5	1B548-6-5	8	5/16	-5	7,9	3/8x19	38	14	22
1B546-8-5	1B548-8-5	8	5/16	-5	7,9	1/2x14	44	21	27
1B546-6-6	1B548-6-6	10	3/8	-6	9,5	3/8x19	37	14	22
1B546-8-6	1B548-8-6	10	3/8	-6	9,5	1/2x14	43	20	27
1B546-8-8	1B548-8-8	12	1/2	-8	12,7	1/2x14	43	19	27
1B546-12-8	1B548-12-8	12	1/2	-8	12,7	3/4x14	43	19	32
1B546-12-10	1B548-12-10	16	5/8	-10	15,9	3/4x14	43	18	32
1B546-12-12	1B548-12-12	20	3/4	-12	19,1	3/4x14	44	18	32
1B546-16-16	1B548-16-16	25	1	-16	25,4	1x11	51	22	41

Material: steel chromium(VI) free plated

Information about standard products or non-standard products can be found in the current price list. Dimensions shown may be changed at any time without prior notice.

01 – Male NPTF Pipe – Rigid – Straight

SAE J476A / J516, AGN



Approved fitting series for hose types:

	46	441 / 441RH / 461LT / 462 / 462ST / 463 / 492 / 492ST / 692 / 692 TWIN
	48	301SN / 302 / 421RH / 421SN / 422 / 426 / 436 / 441 / 451TC / 471TC / 472TC / 493 / 811 / 881

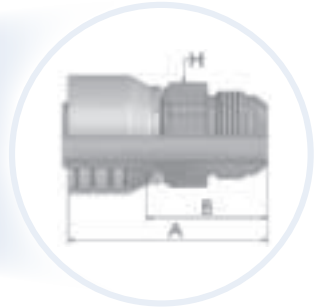
Part Number 46	XXXX-XX-XX	Hose I.D.				Thread NPTF	A mm	B mm	H mm
		DN	Inch	Size	mm				
10146-2-4	10148-2-4	6	1/4	-4	6,3	1/8x27	47	23	12
10146-4-4	10148-4-4	6	1/4	-4	6,3	1/4x18	53	29	14
10146-6-4	10148-6-4	6	1/4	-4	6,3	3/8x18	55	31	19
10146-4-5	10148-4-5	8	5/16	-5	7,9	1/4x18	53	29	14
10146-6-5	10148-6-5	8	5/16	-5	7,9	3/8x18	55	31	19
10146-4-6	10148-4-6	10	3/8	-6	9,5	1/4x18	52	29	14
10146-6-6	10148-6-6	10	3/8	-6	9,5	3/8x18	54	31	19
10146-8-6	10148-8-6	10	3/8	-6	9,5	1/2x14	55	32	22
10146-6-8	10148-6-8	12	1/2	-8	12,7	3/8x18	55	32	19
10146-8-8	10148-8-8	12	1/2	-8	12,7	1/2x14	62	38	22
10146-8-10	10148-8-10	16	5/8	-10	15,9	1/2x14	63	38	22
10146-12-10	10148-12-10	16	5/8	-10	15,9	3/4x14	59	34	27
10146-12-12	10148-12-12	20	3/4	-12	19,1	3/4x14	60	34	27
10146-16-16	10148-16-16	25	1	-16	25,4	1x11-1/2	75	45	36
10146-20-20		32	1-1/4	-20	31,8	1-1/4x11-1/2	86	48	46
	10148-20-20	32	1-1/4	-20	31,8	1-1/4x11-1/2	104	57	46
	10148-24-24	40	1-1/2	-24	38,1	1-1/2x11-1/2	89	51	50
	10148-32-32	50	2	-32	50,8	2x11-1/2	104	55	65

Material: steel chromium(VI) free plated

Information about standard products or non-standard products can be found in the current price list. Dimensions shown may be changed at any time without prior notice.

03 – Male JIC 37° – Rigid – Straight

ISO12151-5-S, AGJ



Approved fitting series for hose types:

46	441 / 441RH / 461LT / 462 / 462ST / 463 / 492 / 492ST / 692 / 692 TWIN
48	301SN / 302 / 421RH / 421SN / 422 / 426 / 436 / 441 / 451TC / 471TC / 472TC / 493 / 811 / 881

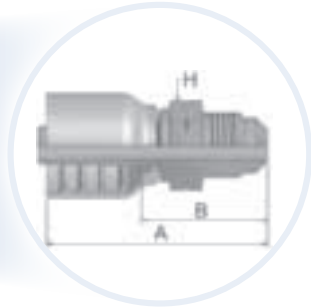
XXXX-XX-XX Part Number		Hose I.D.				Thread UNF	A	B	H
46	48	DN	Inch	Size	mm		mm	mm	mm
10346-4-4	10348-4-4	6	1/4	-4	6,3	7/16x20	52	29	14
10346-5-4	10348-5-4	6	1/4	-4	6,3	1/2x20	52	29	14
10346-6-4	10348-6-4	6	1/4	-4	6,3	9/16x18	55	31	19
10346-5-5	10348-5-5	8	5/16	-5	7,9	1/2x20	50	26	14
10346-6-5	10348-6-5	8	5/16	-5	7,9	9/16x18	55	31	19
10346-8-5	10348-8-5	8	5/16	-5	7,9	3/4x16	57	33	19
10346-4-6	10348-4-6	10	3/8	-6	9,5	7/16x20	54	31	19
10346-5-6	10348-5-6	10	3/8	-6	9,5	1/2x20	53	30	19
10346-6-6	10348-6-6	10	3/8	-6	9,5	9/16x18	54	31	19
10346-8-6	10348-8-6	10	3/8	-6	9,5	3/4x16	53	30	22
10346-10-6	10348-10-6	10	3/8	-6	9,5	7/8x14	56	33	24
10346-8-8	10348-8-8	12	1/2	-8	12,7	3/4x16	58	34	22
10346-10-8	10348-10-8	12	1/2	-8	12,7	7/8x14	56	32	24
10346-12-8	10348-12-8	12	1/2	-8	12,7	1-1/16x12	62	38	27
10346-8-10	10348-8-10	16	5/8	-10	15,9	3/4x16	57	31	22
10346-10-10	10348-10-10	16	5/8	-10	15,9	7/8x14	63	38	24
10346-12-10	10348-12-10	16	5/8	-10	15,9	1-1/16x12	64	39	27
10346-12-12	10348-12-12	20	3/4	-12	19,1	1-1/16x12	68	42	27
10346-14-12	10348-14-12	20	3/4	-12	19,1	1-3/16x12	68	42	30
10346-16-12	10348-16-12	20	3/4	-12	19,1	1-5/16x12	64	38	36
10346-16-16	10348-16-16	25	1	-16	25,4	1-5/16x12	76	46	36
10346-20-16	10348-20-16	25	1	-16	25,4	1-5/8x12	73	43	46
10346-20-20		32	1-1/4	-20	31,8	1-5/8x12	86	48	46
	10348-20-20	32	1-1/4	-20	31,8	1-5/8x12	101	53	46
	10348-24-24	40	1-1/2	-24	38,1	1-7/8x12	85	47	50
	10348-32-32	50	2	-32	50,8	2-1/2x12	109	61	65

Material: steel chromium(VI) free plated

Information about standard products or non-standard products can be found in the current price list. Dimensions shown may be changed at any time without prior notice.

04 - Male SAE 45° - Rigid - Straight

SAE J516



Approved fitting series for hose types:

	46	441 / 441RH / 461LT / 462 / 462ST / 463 / 492 / 492ST / 692 / 692 TWIN
	48	301SN / 302 / 421RH / 421SN / 422 / 426 / 436 / 441 / 451TC / 471TC / 472TC / 493 / 811 / 881

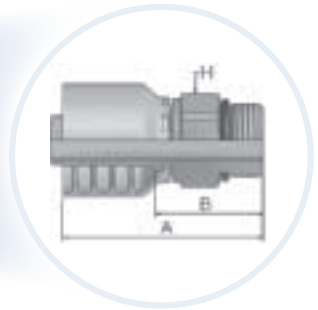
Part Number		Hose I.D.				Thread UNF	A	B	H
46	48	DN	Inch	Size	mm		mm	mm	mm
10446-6-6	10448-6-6	10	3/8	-6	9,5	5/8x18	54	31	19

Material: steel chromium(VI) free plated

Information about standard products or non-standard products can be found in the current price list. Dimensions shown may be changed at any time without prior notice.

05 – Male SAE Straight Thread with O-ring – Rigid – Straight

ISO 11926, SAE J516



Approved fitting series for hose types:

	46	441 / 441RH / 461LT / 462 / 462ST / 463 / 492 / 492ST / 692 / 692 TWIN
	48	301SN / 302 / 421RH / 421SN / 422 / 426 / 436 / 441 / 451TC / 471TC / 472TC / 493 / 811 / 881

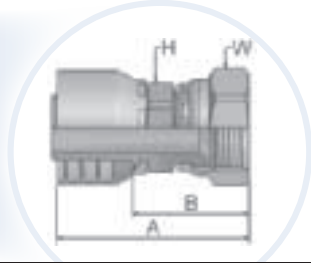
XXXX-XX-XX Part Number 		 Hose I.D.				 Thread UNF	A	B	H
DN	Inch	Size	mm			mm	mm	mm	
10546-6-6	10548-6-6	10	3/8	-6	9,5	9/16-18	48	25	17
10546-8-6	10548-8-6	10	3/8	-6	9,5	3/4x16	48	25	22
10546-8-8	10548-8-8	12	1/2	-8	12,7	3/4x16	52	28	22
10546-10-8	10548-10-8	12	1/2	-8	12,7	7/8x14	49	26	27

To select corresponding O-ring see Section Eb.
Material: steel chromium(VI) free plated

Information about standard products or non-standard products can be found in the current price list.
Dimensions shown may be changed at any time without prior notice.

06/68 – Female – JIC 37° / SAE 45° Dual Flare – Swivel – Straight

ISO12151-5-SWS – DKJ



Approved fitting series for hose types:

46 441 / 441RH / 461LT / 462 / 462ST / 463 / 492 / 492ST / 692 / 692 TWIN

48 301SN / 302 / 421RH / 421SN / 422 / 426 / 436 / 441 / 451TC / 471TC / 472TC / 493 / 811 / 881

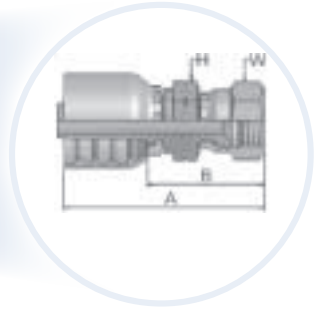
XXXX-XX-XX Part Number		Hose I.D.				Thread UNF	A mm	B mm	H mm	W mm
46	48	DN	Inch	Size	mm					
16846-4-4	16848-4-4	6	1/4	-4	6,3	7/16x20	52	29	14	17
16846-5-4	16848-5-4	6	1/4	-4	6,3	1/2x20	53	30	14	17
10646-6-4	10648-6-4	6	1/4	-4	6,3	9/16x18	55	31	14	19
16846-5-5	16848-5-5	8	5/16	-5	7,9	1/2x20	54	30	14	17
10646-6-5	10648-6-5	8	5/16	-5	7,9	9/16x18	56	32	17	19
16846-8-5	16848-8-5	8	5/16	-5	7,9	3/4x16	57	34	17	22
16846-4-6	16848-4-6	10	3/8	-6	9,5	7/16x20	50	27	14	17
16846-5-6	16848-5-6	10	3/8	-6	9,5	1/2x20	52	29	14	17
10646-6-6	10648-6-6	10	3/8	-6	9,5	9/16x18	52	30	17	19
16846-8-6	16848-8-6	10	3/8	-6	9,5	3/4x16	56	33	17	22
16846-10-6	16848-10-6	10	3/8	-6	9,5	7/8x14	59	36	22	27
10646-6-8	10648-6-8	12	1/2	-8	12,7	9/16x18	46	22	22	19
16846-8-8	16848-8-8	12	1/2	-8	12,7	3/4x16	56	32	22	22
16846-10-8	16848-10-8	12	1/2	-8	12,7	7/8x14	62	38	22	27
10646-12-8	10648-12-8	12	1/2	-8	12,7	1-1/16x12	62	38	27	32
16846-8-10	16848-8-10	16	5/8	-10	15,9	3/4x16	57	32	22	22
16846-10-10	16848-10-10	16	5/8	-10	15,9	7/8x14	60	35	22	27
10646-12-10	10648-12-10	16	5/8	-10	15,9	1-1/16x12	64	39	27	32
16846-8-12	16848-8-12	20	3/4	-12	19,1	3/4x16	58	32	24	22
16846-10-12	16848-10-12	20	3/4	-12	19,1	7/8x14	61	35	24	27
10646-12-12	10648-12-12	20	3/4	-12	19,1	1-1/16x12	67	41	27	32
10646-14-12	10648-14-12	20	3/4	-12	19,1	1-3/16x12	68	42	30	36
10646-16-12	10648-16-12	20	3/4	-12	19,1	1-5/16x12	71	45	32	41
10646-12-16	10648-12-16	25	1	-16	25,4	1-1/16x12	74	44	32	32
10646-16-16	10648-16-16	25	1	-16	25,4	1-5/16x12	76	46	32	41
10646-20-16	10648-20-16	25	1	-16	25,4	1-5/8x12	80	50	41	50
10646-16-20		32	1-1/4	-20	31,8	1-5/16x12	87	49	41	41
	10648-16-20	32	1-1/4	-20	31,8	1-5/16x12	97	50	46	41
10646-20-20		32	1-1/4	-20	31,8	1-5/8x12	89	51	46	50
	10648-20-20	32	1-1/4	-20	31,8	1-5/8x12	100	53	46	50
	10648-24-20°	32	1-1/4	-20	31,8	1-7/8x12	105	58	55	60
	10648-24-24	40	1-1/2	-24	38,1	1-7/8x12	98	60	55	60
	10648-32-32	50	2	-32	50,8	2-1/2x12	115	72	65	75

Information about standard products or non-standard products can be found in the current price list.
Dimensions shown may be changed at any time without prior notice.

*Assembly only with Parkrimp 2 machine
Material: steel chromium(VI) free plated

08 – Female SAE 45° – Swivel – Straight

SAE J516



Approved fitting series for hose types:

	46	441 / 441RH / 461LT / 462 / 462ST / 463 / 492 / 492ST / 692 / 692 TWIN
	48	301SN / 302 / 421RH / 421SN / 422 / 426 / 436 / 441 / 451TC / 471TC / 472TC / 493 / 811 / 881

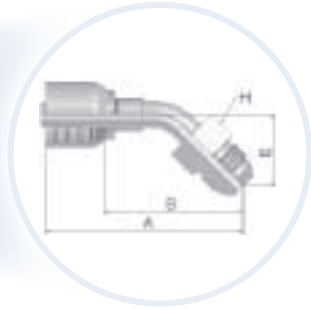
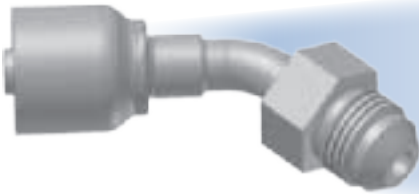
XXXX-XX-XX Part Number		 Hose I.D.				 Thread UNF	A	B	 H	 W
46	48	DN	Inch	Size	mm		mm	mm	mm	mm
10846-6-4	10848-6-4	6	1/4	-4	6,3	5/8x18	58	34	14	19
10846-6-6	10848-6-6	10	3/8	-6	9,5	5/8x18	57	34	19	19

Material: steel chromium(VI) free plated

Information about standard products or non-standard products can be found in the current price list. Dimensions shown may be changed at any time without prior notice.

33 - Male JIC 37° - Rigid - 45° Elbow

ISO 12151-5, AGJ 45°



Approved fitting series for hose types:

	46	441 / 441RH / 461LT / 462 / 462ST / 463 / 492 / 492ST / 692 / 692 TWIN
	48	301SN / 302 / 421RH / 421SN / 422 / 426 / 436 / 441 / 451TC / 471TC / 472TC / 493 / 811 / 881

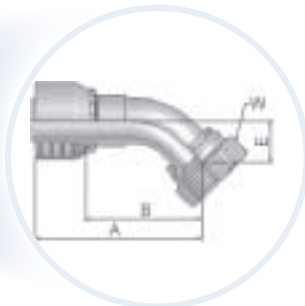
XXXX-XX-XX Part Number		Hose I.D.				Thread NPTF	A	B	E	H
46	48	DN	Inch	Size	mm	mm	mm	mm	mm	
13346-8-6	13348-8-6	10	3/8	-6	9,5	3/4x16	77	54	28	22

Material: steel chromium(VI) free plated

Information about standard products or non-standard products can be found in the current price list. Dimensions shown may be changed at any time without prior notice.




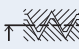
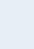
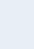
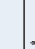

37/3V - Female JIC 37° /SAE 45° - Dual Flare - Swivel Female 45° Elbow

ISO 12151-5-SWE 45° - DKJ 45°



Approved fitting series for hose types:

	46	441 / 441RH / 461LT / 462 / 462ST / 463 / 492 / 492ST / 692 / 692 TWIN
	48	301SN / 302 / 421RH / 421SN / 422 / 426 / 436 / 441 / 451TC / 471TC / 472TC / 493 / 811 / 881

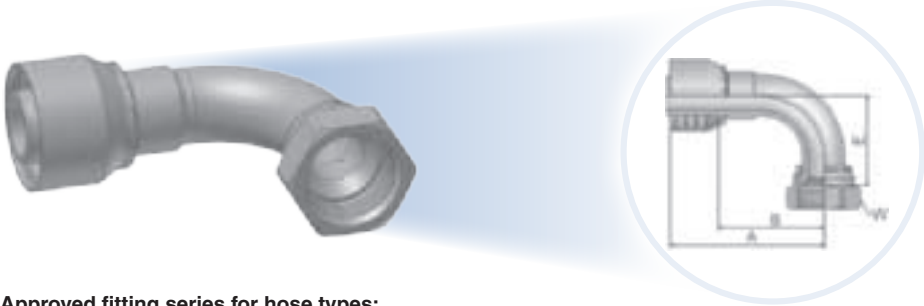
XXXX-XX Part Number  		Hose I.D. 				Thread UNF 	A 	B 	E 	W 
		DN	Inch	Size	mm		mm	mm	mm	mm
13V46-4-4	13V48-4-4	6	1/4	-4	6,3	7/16x20	53	29	10	17
13V46-5-4	13V48-5-4	6	1/4	-4	6,3	1/2x20	57	33	9	17
13746-6-4	13748-6-4	6	1/4	-4	6,3	9/16x18	55	31	11	19
13V46-5-5	13V48-5-5	8	5/16	-5	7,9	1/2x20	53	29	10	17
13746-6-5	13748-6-5	8	5/16	-5	7,9	9/16x18	58	34	10	19
13746-6-6	13748-6-6	10	3/8	-6	9,5	9/16x18	60	37	11	19
13V46-8-6	13V48-8-6	10	3/8	-6	9,5	3/4x16	67	44	15	22
13V46-10-6	13V48-10-6	10	3/8	-6	9,5	7/8-14	69	46	17	27
13V46-8-8	13V48-8-8	12	1/2	-8	12,7	3/4x16	61	37	15	22
13V46-10-8	13V48-10-8	12	1/2	-8	12,7	7/8x14	70	46	16	27
13V46-10-10	13V48-10-10	16	5/8	-10	15,9	7/8x14	69	44	16	27
13746-12-10	13748-12-10	16	5/8	-10	15,9	1-1/16x12	74	49	21	32
13746-12-12	13748-12-12	20	3/4	-12	19,1	1-1/16x12	83	57	21	32
13746-14-12	13748-14-12	20	3/4	-12	19,1	1-3/16x12	84	58	22	36
13746-16-12	13748-16-12	20	3/4	-12	19,1	1-5/16x12	84	58	24	41
13746-12-16	13748-12-16	25	1	-16	25,4	1-1/16x12	91	61	21	32
13746-16-16	13748-16-16	25	1	-16	25,4	1-5/16x12	97	68	24	41
13746-20-16	13748-20-16	25	1	-16	25,4	1-5/8x12	101	71	26	50
13746-20-20		32	1-1/4	-20	31,8	1-5/8x12	129	91	31	50
	13748-20-20	32	1-1/4	-20	31,8	1-5/8x12	134	87	31	50
	13748-24-24	40	1-1/2	-24	38,1	1-7/8x12	165	127	58	60

Material: steel chromium(VI) free plated

Information about standard products or non-standard products can be found in the current price list.
Dimensions shown may be changed at any time without prior notice.


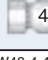

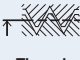

39/3W – Female JIC 37° / SAE 45° – Dual Flare – Swivel Female 90° Elbow

ISO 12151-5-SWES – DKJ 90°



Approved fitting series for hose types:

	46	441 / 441RH / 461LT / 462 / 462ST / 463 / 492 / 492ST / 692 / 692 TWIN
	48	301SN / 302 / 421RH / 421SN / 422 / 426 / 436 / 441 / 451TC / 471TC / 472TC / 493 / 811 / 881

XXXX-XX Part Number  		 Hose I.D.				 Thread UNF	A	B	E	 W
		DN	Inch	Size	mm	mm	mm	mm	mm	
13W46-4-4	13W48-4-4	6	1/4	-4	6,3	7/16x20	48	24	21	17
13W46-5-4	13W48-5-4	6	1/4	-4	6,3	1/2x20	58	34	21	17
13946-6-4	13948-6-4	6	1/4	-4	6,3	9/16x18	51	27	23	19
13W46-5-5	13W48-5-5	8	5/16	-5	7,9	1/2x20	49	25	21	17
13946-6-5	13948-6-5	8	5/16	-5	7,9	9/16x18	51	28	23	19
13W46-4-6	13W48-4-6	10	3/8	-6	9,5	7/16x20	46	23	21	17
13946-6-6	13948-6-6	10	3/8	-6	9,5	9/16x18	51	28	23	19
13W46-8-6	13W48-8-6	10	3/8	-6	9,5	3/4x16	59	36	29	22
13W46-10-6	13W48-10-6	10	3/8	-6	9,5	7/8x14	61	38	32	27
13946-6-8	13948-6-8	12	1/2	-8	12,7	9/16x18	54	30	23	19
13W46-8-8	13W48-8-8	12	1/2	-8	12,7	3/4x16	55	31	29	22
13W46-10-8	13W48-10-8	12	1/2	-8	12,7	7/8x14	63	39	32	27
13946-12-8	13948-12-8	12	1/2	-8	12,7	1-1/16x12	73	49	48	32
13W46-10-10	13W48-10-10	16	5/8	-10	15,9	7/8x14	64	39	33	27
13946-12-10	13948-12-10	16	5/8	-10	15,9	1-1/16x12	75	49	48	32
13946-12-12	13948-12-12	20	3/4	-12	19,1	1-1/16x12	80	54	48	32
13946-14-12	13948-14-12	20	3/4	-12	19,1	1-3/16x12	80	54	51	36
13946-16-12	13948-16-12	20	3/4	-12	19,1	1-5/16x12	80	54	56	41
13946-12-16	13948-12-16	25	1	-16	25,4	1-1/16x12	88	58	48	32
13946-16-16	13948-16-16	25	1	-16	25,4	1-5/16x12	98	68	56	41
13946-20-16	13948-20-16	25	1	-16	25,4	1-5/8x12	98	68	62	50
13946-20-20		32	1-1/4	-20	31,8	1-5/8x12	124	86	70	50
	13948-20-20	32	1-1/4	-20	31,8	1-5/8x12	130	83	70	50
	13948-24-20°	32	1-1/4	-20	31,8	1-7/8x12	130	82	80	60
	13948-24-24	40	1-1/2	-24	38,1	1-7/8x12	140	102	84	60
	13948-32-32	50	2	-32	50,8	2-1/2x12	200	152	152	75

* Assembly only with Parkrimp 2 machine
Material: steel chromium(VI) free plated

Information about standard products or non-standard products can be found in the current price list.
Dimensions shown may be changed at any time without prior notice.

41/3Y - Female JIC 37° / 45° Swivel Female 90° Elbow (Long)

ISO 12151-5-SWEL – DKJ 90° L



Approved fitting series for hose types:

	46	441 / 441RH / 461LT / 462 / 462ST / 463 / 492 / 492ST / 692 / 692 TWIN
	48	301SN / 302 / 421RH / 421SN / 422 / 426 / 436 / 441 / 451TC / 471TC / 472TC / 493 / 811 / 881

XXXX-XX-XX Part Number		Hose I.D.				Thread UNF	A	B	E	W
		DN	Inch	Size	mm		mm	mm	mm	mm
13Y46-4-4	13Y48-4-4	6	1/4	-4	6,3	7/16x20	61	37	46	17
14146-6-4	14148-6-4	6	1/4	-4	6,3	9/16x18	57	34	55	19
14146-6-6	14148-6-6	10	3/8	-6	9,5	9/16x18	57	34	54	19
13Y46-8-6	13Y48-8-6	10	3/8	-6	9,5	3/4x16	55	32	62	22
13Y46-8-8	13Y48-8-8	12	1/2	-8	12,7	3/4x16	59	36	64	22
13Y46-10-8	13Y48-10-8	12	1/2	-8	12,7	7/8x14	68	44	66	27
13Y46-10-10	13Y48-10-10	16	5/8	-10	15,9	7/8x14	61	36	70	27
14146-12-12	14148-12-12	20	3/4	-12	19,1	1-1/16x12	80	54	96	32
14146-16-16	14148-16-16	25	1	-16	25,4	1-5/16x12	98	68	110	41

Material: steel chromium(VI) free plated

Information about standard products or non-standard products can be found in the current price list. Dimensions shown may be changed at any time without prior notice.


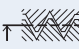


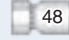
L9 – Female JIC 37° – Swivel – 90° Elbow – Medium Drop

ISO 12151-5-SWEM – DKJ 90° M



Approved fitting series for hose types:

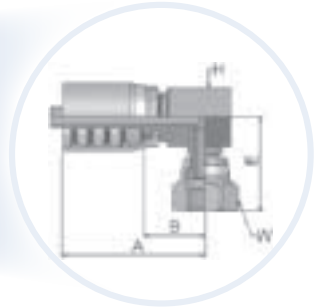
	46	441 / 441RH / 461LT / 462 / 462ST / 463 / 492 / 492ST / 692 / 692 TWIN
	48	301SN / 302 / 421RH / 421SN / 422 / 426 / 436 / 441 / 451TC / 471TC / 472TC / 493 / 811 / 881

XXXX-XX-XX Part Number		 Hose I.D.				 Thread UNF	A	B	E	 W
		DN	Inch	Size	mm		mm	mm	mm	mm
1L946-8-6	1L948-8-6	10	3/8	-6	9,5	3/4x16	63	40	35	22
1L946-10-8	1L948-10-8	12	1/2	-8	12,7	7/8x14	66	42	45	27
1L946-12-12	1L948-12-12	20	3/4	-12	19,1	1-1/16x12	80	54	53	32
1L946-16-16	1L948-16-16	25	1	-16	25,4	1-5/16x12	97	68	64	41

Material: steel chromium(VI) free plated

Information about standard products or non-standard products can be found in the current price list. Dimensions shown may be changed at any time without prior notice.

93 - Female JIC 37° – Swivel – 90° Elbow (Block Type)



Approved fitting series for hose types:

	46	441 / 441RH / 461LT / 462 / 462ST / 463 / 492 / 492ST / 692 / 692 TWIN
	48	301SN / 302 / 421RH / 421SN / 422 / 426 / 436 / 441 / 451TC / 471TC / 472TC / 493 / 811 / 881

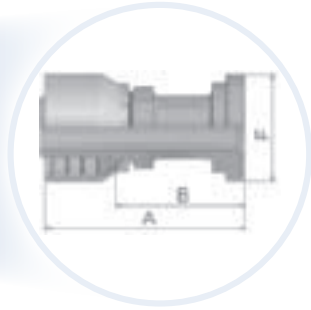
XXXX-XX-XX Part Number		Hose I.D.				Thread UNF	A	B	E	H	W
46	48	DN	Inch	Size	mm		mm	mm	mm	mm	mm
19346-8-6	19348-8-6	10	3/8	-6	9,5	3/4x16	43	20	20	19	22

Material: steel chromium(VI) free plated

Information about standard products or non-standard products can be found in the current price list. Dimensions shown may be changed at any time without prior notice.

15 - SAE Code 61 – Flange Head – Straight

ISO 12151-3-S-L / SFL / 3000 psi



Approved fitting series for hose types:

	46	441 / 441RH / 461LT / 462 / 462ST / 463 / 492 / 492ST / 692 / 692 TWIN
	48	301SN / 302 / 421RH / 421SN / 422 / 426 / 436 / 441 / 451TC / 471TC / 472TC / 493 / 811 / 881

Part Number 46 48	Hose I.D.				End Connection	A mm	B mm	F mm	
	DN	Inch	Size	mm					
11546-8-8	11548-8-8	12	1/2	-8	12,7	1/2	74	51	30
11546-12-8	11548-12-8	12	1/2	-8	12,7	3/4	51	27	38
11546-12-10	11548-12-10	16	5/8	-10	15,9	3/4	56	31	38
11546-12-12	11548-12-12	20	3/4	-12	19,1	3/4	82	56	38
11546-16-12	11548-16-12	20	3/4	-12	19,1	1	56	30	45
11546-20-12	11548-20-12	20	3/4	-12	19,1	1-1/4	77	51	51
11546-16-16	11548-16-16	25	1	-16	25,4	1	84	54	45
11546-20-16	11548-20-16	25	1	-16	25,4	1-1/4	104	74	51
11546-24-16	11548-24-16	25	1	-16	25,4	1-1/2	97	67	60
	11548-16-20	32	1-1/4	-20	31,8	1	120	72	45
11546-20-20		32	1-1/4	-20	31,8	1-1/4	114	76	51
	11548-20-20	32	1-1/4	-20	31,8	1-1/4	120	72	51
11546-24-20°		32	1-1/4	-20	31,8	1-1/2	72	35	60
	11548-24-20°	32	1-1/4	-20	31,8	1-1/2	82	35	60
	11548-32-20°	32	1-1/4	-20	31,8	2	123	76	71
	11548-16-24	40	1-1/2	-24	38,1	1	109	71	45
	11548-24-24	40	1-1/2	-24	38,1	1-1/2	117	79	60
	11548-32-24	40	1-1/2	-24	38,1	2	80	42	71
	11548-24-32	50	2	-32	50,8	1-1/2	129	81	60
	11548-32-32	50	2	-32	50,8	2	126	78	71

°Assembly only with Parkrimp 2 machine
To select corresponding half-flange and O-ring see Section Eb.
Material: steel chromium(VI) free plated

Information about standard products or non-standard products can be found in the current price list.
Dimensions shown may be changed at any time without prior notice.

17 - SAE Code 61 - Flange Head - 45° Elbow

ISO 12151-3 - E45 - L / SFL 45° / 3000 psi



Approved fitting series for hose types:

	46	441 / 441RH / 461LT / 462 / 462ST / 463 / 492 / 492ST / 692 / 692 TWIN
	48	301SN / 302 / 421RH / 421SN / 422 / 426 / 436 / 441 / 451TC / 471TC / 472TC / 493 / 811 / 881

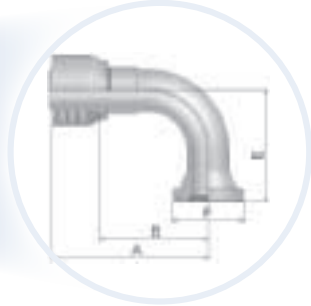
XXXX-XX-XX Part Number 		 Hose I.D. DN Inch Size mm				 End Connection	A mm	B mm	E mm	F mm
11746-8-8	11748-8-8	12	1/2	-8	12,7	1/2	72	48	20	30
11746-12-8	11748-12-8	12	1/2	-8	12,7	3/4	71	47	21	38
11746-12-10	11748-12-10	16	5/8	-10	15,9	3/4	75	50	24	38
11746-12-12	11748-12-12	20	3/4	-12	19,1	3/4	88	62	25	38
11746-16-12	11748-16-12	20	3/4	-12	19,1	1	87	61	25	45
11746-20-12	11748-20-12	20	3/4	-12	19,1	1-1/4	87	61	25	51
11746-16-16	11748-16-16	25	1	-16	25,4	1	107	78	32	45
11746-20-16	11748-20-16	25	1	-16	25,4	1-1/4	104	74	27	51
	11748-16-20	32	1-1/4	-20	31,8	1	132	85	29	45
11746-20-20		32	1-1/4	-20	31,8	1-1/4	136	98	38	51
	11748-20-20	32	1-1/4	-20	31,8	1-1/4	132	85	29	51
11746-24-20°		32	1-1/4	-20	31,8	1-1/2	136	98	38	60
	11748-24-20°	32	1-1/4	-20	31,8	1-1/2	141	94	38	60
	11748-24-24	40	1-1/2	-24	38,1	1-1/2	143	106	37	60
	11748-32-24	40	1-1/2	-24	38,1	2	143	105	36	71
	11748-24-32	50	2	-32	50,8	1-1/2	153	105	36	60
	11748-32-32	50	2	-32	50,8	2	181	133	50	71

°Assembly only with Parkrimp 2 machine
To select corresponding half-flange and O-ring see Section Eb.
Material: steel chromium(VI) free plated

Information about standard products or non-standard products can be found in the current price list.
Dimensions shown may be changed at any time without prior notice.





19 – SAE Code 61 – Flange Head – 90° Elbow

ISO 12151-3 – E– L / SFL 90° / 3000 psi



Approved fitting series for hose types:

 46	441 / 441RH / 461LT / 462 / 462ST / 463 / 492 / 492ST / 692 / 692 TWIN
 48	301SN / 302 / 421RH / 421SN / 422 / 426 / 436 / 441 / 451TC / 471TC / 472TC / 493 / 811 / 881

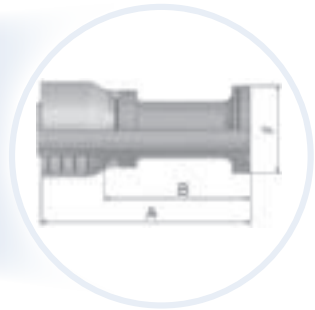
XXXX-XX-XX Part Number  46  48		 Hose I.D.				 End Connection	A	B	E	F
		DN	Inch	Size	mm		mm	mm	mm	mm
11946-8-8	11948-8-8	12	1/2	-8	12,7	1/2	64	40	41	30
11946-12-8	11948-12-8	12	1/2	-8	12,7	3/4	71	47	43	38
11946-12-10	11948-12-10	16	5/8	-10	15,9	3/4	78	53	52	38
11946-16-10	11948-16-10	16	5/8	-10	15,9	1	78	53	52	45
11946-12-12	11948-12-12	20	3/4	-12	19,1	3/4	80	54	58	38
11946-16-12	11948-16-12	20	3/4	-12	19,1	1	80	54	58	45
11946-20-12	11948-20-12	20	3/4	-12	19,1	1-1/4	81	55	54	51
	11948-12-16	25	1	-16	25,4	3/4	98	68	70	38
11946-16-16	11948-16-16	25	1	-16	25,4	1	98	68	70	45
11946-20-16	11948-20-16	25	1	-16	25,4	1-1/4	103	73	60	51
11946-24-16	11948-24-16	25	1	-16	25,4	1-1/2	100	70	62	60
11946-12-20		32	1-1/4	-20	31,8	3/4	125	87	70	38
11946-20-20		32	1-1/4	-20	31,8	1-1/4	124	86	90	51
	11948-20-20	32	1-1/4	-20	31,8	1-1/4	130	82	90	51
11946-24-20°		32	1-1/4	-20	31,8	1-1/2	124	86	90	60
	11948-24-20°	32	1-1/4	-20	31,8	1-1/2	130	83	67	60
	11948-32-20°	32	1-1/4	-20	31,8	2	130	83	67	71
	11948-24-24	40	1-1/2	-24	38,1	1-1/2	140	102	79	60
	11948-32-24	40	1-1/2	-24	38,1	2	139	101	104	71
	11948-24-32	50	2	-32	50,8	1-1/2	154	106	104	60
	11948-32-32	50	2	-32	50,8	2	187	138	114	71

°Assembly only with Parkrimp 2 machine
To select corresponding half-flange and O-ring see Section Eb.
Material: steel chromium(VI) free plated

Information about standard products or non-standard products can be found in the current price list.
Dimensions shown may be changed at any time without prior notice.

6A – SAE Code 62 – Flange – Straight

ISO 12151-3-S-S / SFS / 6000 psi



Approved fitting series for hose types:

	46	441 / 441RH / 461LT / 462 / 462ST / 463 / 492 / 492ST / 692 / 692 TWIN
	48	301SN / 302 / 421RH / 421SN / 422 / 426 / 436 / 441 / 451TC / 471TC / 472TC / 493 / 811 / 881

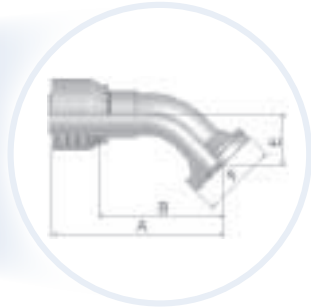
XXXX-XX-XX Part Number 		 Hose I.D.				 End Connection	A	B	F
DN	Inch	Size	mm			mm	mm	mm	
16A46-8-8	16A48-8-8	12	1/2	-8	12,7	1/2	75	52	32
16A46-12-12	16A48-12-12	20	3/4	-12	19,1	3/4	96	70	41
16A46-16-16	16A48-16-16	25	1	-16	25,4	1	111	82	48
16A46-20-20		32	1-1/4	-20	31,8	1-1/4	122	84	54
	16A48-20-20	32	1-1/4	-20	31,8	1-1/4	130	83	54
	16A48-24-20°	32	1.1/4	-20	31,8	1-1/2	131	84	64
	16A48-24-24	40	1-1/2	-24	38,1	1-1/2	141	103	64
	16A48-32-32	50	2	-32	50,8	2	173	124	79

°Assembly only with Parkrimp 2 machine
To select corresponding half-flange and O-ring see Section Eb.
Material: steel chromium(VI) free plated

Information about standard products or non-standard products can be found in the current price list.
Dimensions shown may be changed at any time without prior notice.





6F – SAE Flange 45° Elbow – Heavy Series

ISO 12151-3 – E45-S / SFS 45° / 6000 psi



Approved fitting series for hose types:

	46	441 / 441RH / 461LT / 462 / 462ST / 463 / 492 / 492ST / 692 / 692 TWIN
	48	301SN / 302 / 421RH / 421SN / 422 / 426 / 436 / 441 / 451TC / 471TC / 472TC / 493 / 811 / 881

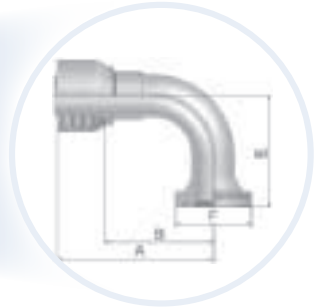
XXXX-XX-XX Part Number  		 Hose I.D.				 End Connection	A	B	E	F
		DN	Inch	Size	mm		mm	mm	mm	mm
16F46-12-12	16F48-12-12	20	3/4	-12	19,1	3/4	88	62	26	41
16F46-16-16	16F48-16-16	25	1	-16	25,4	1	107	78	32	48
16F46-20-20	16F48-20-20	32	1-1/4	-20	31,8	1-1/4	141	94	38	54
	16F48-24-24	40	1.1/2	-24	38,1	1-1/2	150	112	44	64
	16F48-32-32	50	2	-32	50,8	2	183	135	52	79

To select corresponding half-flange and O-ring see Section Eb.
Material: steel chromium(VI) free plated

Information about standard products or non-standard products can be found in the current price list.
Dimensions shown may be changed at any time without prior notice.

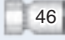

6N – SAE Code 62 Flange Head – 90° Elbow

ISO 12151-3 – E-S / SFS 90° / 6000 psi



Approved fitting series for hose types:

	46	441 / 441RH / 461LT / 462 / 462ST / 463 / 492 / 492ST / 692 / 692 TWIN
	48	301SN / 302 / 421RH / 421SN / 422 / 426 / 436 / 441 / 451TC / 471TC / 472TC / 493 / 811 / 881

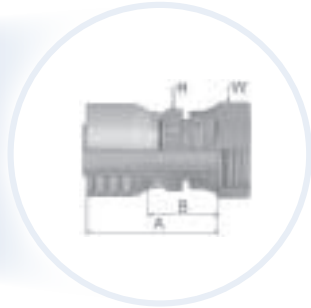
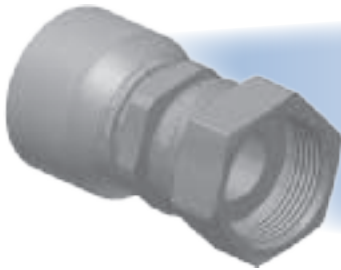
XXXX-XX-XX Part Number  	Hose I.D.				End Connection	A mm	B mm	E mm	F mm	
	DN	Inch	Size	mm						
16N48-8-12	20	3/4	-12	19,1	1/2	70	44	40	32	
16N46-12-12	20	3/4	-12	19,1	3/4	80	54	54	41	
16N46-16-12	20	3/4	-12	19,1	1	80	54	53	48	
16N46-12-16	25	1	-16	25,4	3/4	88	58	58	41	
16N46-16-16	25	1	-16	25,4	1	98	68	70	48	
16N46-20-20	32	1-1/4	-20	31,8	1-1/4	124	86	70	54	
	16N48-20-20	32	1-1/4	-20	31,8	1-1/4	130	82	70	54
	16N48-24-24	40	1-1/2	-24	38,1	1-1/2	139	101	104	64
	16N48-32-32	50	2	-32	50,8	2	172	124	115	79

To select corresponding half-flange and O-ring see Section Eb.
Material: steel chromium(VI) free plated

Information about standard products or non-standard products can be found in the current price list.
Dimensions shown may be changed at any time without prior notice.




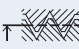


JC – Female ORFS – Swivel – Straight – Short

ISO 12151-1 – SWSA, SAE J516 – ORFS



Approved fitting series for hose types:

	46	441 / 441RH / 461LT / 462 / 462ST / 463 / 492 / 492ST / 692 / 692 TWIN
	48	301SN / 302 / 421RH / 421SN / 422 / 426 / 436 / 441 / 451TC / 471TC / 472TC / 493 / 811 / 881

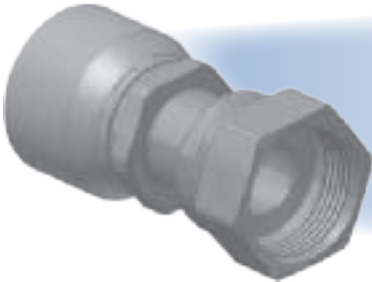
XXXX-XX-XX Part Number  46  48		 Hose I.D.				 Thread UNF	A	B	 H	 W
		DN	Inch	Size	mm	mm	mm	mm	mm	
1JC46-4-4	1JC48-4-4	6	1/4	-4	6,3	9/16x18	46	22	14	17
1JC46-6-4	1JC48-6-4	6	1/4	-4	6,3	11/16x16	45	23	17	22
1JC46-8-4	1JC48-8-4	6	1/4	-4	6,3	13/16x16	46	22	19	24
1JC46-6-5	1JC48-6-5	8	5/16	-5	7,9	11/16x16	47	23	17	22
1JC46-4-6	1JC48-4-6	10	3/8	-6	9,5	9/16x18	42	19	17	17
1JC46-6-6	1JC48-6-6	10	3/8	-6	9,5	11/16x16	43	21	17	22
1JC46-8-6	1JC48-8-6	10	3/8	-6	9,5	13/16x16	45	22	19	24
1JC46-6-8	1JC48-6-8	12	1/2	-8	12,7	11/16x16	44	20	17	22
1JC46-8-8	1JC48-8-8	12	1/2	-8	12,7	13/16x16	46	22	22	24
1JC46-10-8	1JC48-10-8	12	1/2	-8	12,7	1x14	48	24	24	30
1JC46-12-8	1JC48-12-8	12	1/2	-8	12,7	1-3/16x12	53	29	30	36
1JC46-8-10	1JC48-8-10	16	5/8	-10	15,9	13/16x16	47	22	22	24
1JC46-10-10	1JC48-10-10	16	5/8	-10	15,9	1x14	51	26	24	30
1JC46-12-10	1JC48-12-10	16	5/8	-10	15,9	1-3/16x12	54	28	30	36
1JC46-10-12	1JC48-10-12	20	3/4	-12	19,1	1x14	54	28	24	30
1JC46-12-12	1JC48-12-12	20	3/4	-12	19,1	1-3/16x12	55	29	30	36
1JC46-16-12	1JC48-16-12	20	3/4	-12	19,1	1-7/16x12	59	33	36	41
	1JC48-12-16	25	1	-16	25,4	1-3/16x12	60	30	32	36
1JC46-16-16	1JC48-16-16	25	1	-16	25,4	1-7/16x12	63	33	36	41
1JC46-20-16	1JC48-20-16	25	1	-16	25,4	1-11/16x12	62	32	41	50
1JC46-20-20		32	1-1/4	-20	31,8	1-11/16x12	71	33	41	50
	1JC48-20-20	32	1-1/4	-20	31,8	1-11/16x12	85	36	41	50

Material: steel chromium(VI) free plated

Information about standard products or non-standard products can be found in the current price list.
Dimensions shown may be changed at any time without prior notice.

JS – ORFS Swivel Female (Long)

ISO 12151-1-SWSB, SAE J516 – ORFS



Approved fitting series for hose types:

	46	441 / 441RH / 461LT / 462 / 462ST / 463 / 492 / 492ST / 692 / 692 TWIN
	48	301SN / 302 / 421RH / 421SN / 422 / 426 / 436 / 441 / 451TC / 471TC / 472TC / 493 / 811 / 881

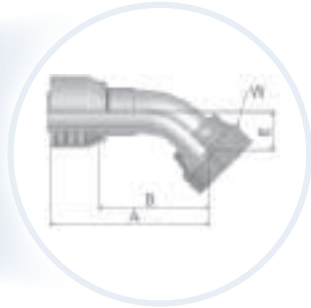
XXXX-XX-XX Part Number 		 Hose I.D.				 Thread UNF	A	B	H	W
		DN	Inch	Size	mm	mm	mm	mm	mm	
1JS46-4-4	1JS48-4-4	6	1/4	-4	6,3	9/16x18	53	29	14	17
1JS46-6-4	1JS48-6-4	6	1/4	-4	6,3	11/16x16	54	31	17	22
1JS46-6-5	1JS48-6-5	8	5/16	-5	7,9	11/16x16	55	31	17	22
1JS46-4-6	1JS48-4-6	10	3/8	-6	9,5	9/16x18	53	30	14	17
1JS46-6-6	1JS48-6-6	10	3/8	-6	9,5	11/16x16	52	29	17	22
1JS46-8-6	1JS48-8-6	10	3/8	-6	9,5	13/16x16	58	35	19	24
1JS46-6-8	1JS48-6-8	12	1/2	-8	12,7	11/16x16	52	29	17	22
1JS46-8-8	1JS48-8-8	12	1/2	-8	12,7	13/16x16	57	33	22	24
1JS46-10-8	1JS48-10-8	12	1/2	-8	12,7	1x14	63	39	24	30
1JS46-10-10	1JS48-10-10	16	5/8	-10	15,9	1x14	65	39	24	30
1JS46-12-10	1JS48-12-10	16	5/8	-10	15,9	1-3/16x12	70	45	30	36
1JS46-10-12	1JS48-10-12	20	3/4	-12	19,1	1x14	66	40	24	30
1JS46-12-12	1JS48-12-12	20	3/4	-12	19,1	1-3/16x12	71	45	30	36
1JS46-16-12	1JS48-16-12	20	3/4	-12	19,1	1-7/16x12	73	47	36	41
1JS46-16-16	1JS48-16-16	25	1	-16	25,4	1-7/16x12	76	46	36	41
1JS46-20-16	1JS48-20-16	25	1	-16	25,4	1-11/16x12	78	48	41	50
1JS46-20-20		32	1-1/4	-20	31,8	1-11/16x12	88	50	41	50
	1JS48-20-20	32	1-1/4	-20	31,8	1-11/16x12	102	54	46	50
	1JS48-24-24	40	1-1/2	-24	38,1	2x12	100	62	50	60

Material: steel chromium(VI) free plated

Information about standard products or non-standard products can be found in the current price list. Dimensions shown may be changed at any time without prior notice.

J7 - Female ORFS – Swivel – 45° Elbow

ISO 12151-1-SWE 45°, SAE J516 – ORFS 45°



Approved fitting series for hose types:

	46	441 / 441RH / 461LT / 462 / 462ST / 463 / 492 / 492ST / 692 / 692 TWIN
	48	301SN / 302 / 421RH / 421SN / 422 / 426 / 436 / 441 / 451TC / 471TC / 472TC / 493 / 811 / 881

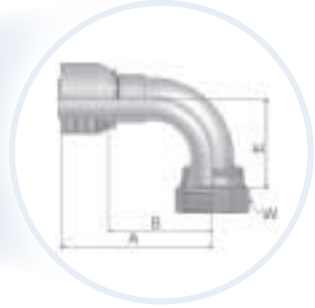
XXXX-XX-XX Part Number 		 Hose I.D.				 Thread UNF	A	B	E	 W
DN	Inch	Size	mm			mm	mm	mm	mm	
1J746-4-4	1J748-4-4	6	1/4	-4	6,3	9/16x18	52	28	10	17
1J746-6-4	1J748-6-4	6	1/4	-4	6,3	11/16x16	53	30	11	22
1J746-6-5	1J748-6-5	8	5/16	-5	7,9	11/16x16	56	32	11	22
1J746-6-6	1J748-6-6	10	3/8	-6	9,5	11/16x16	54	31	11	22
1J746-8-6	1J748-8-6	10	3/8	-6	9,5	13/16x16	59	36	15	24
1J746-6-8	1J748-6-8	12	1/2	-8	12,7	11/16x16	57	33	11	22
1J746-8-8	1J748-8-8	12	1/2	-8	12,7	13/16x16	61	38	15	24
1J746-10-8	1J748-10-8	12	1/2	-8	12,7	1x14	65	42	16	30
1J746-12-8	1J748-12-8	12	1/2	-8	12,7	1-3/16x12	77	53	21	36
1J746-10-10	1J748-10-10	16	5/8	-10	15,9	1x14	67	42	16	30
1J746-12-10	1J748-12-10	16	5/8	-10	15,9	1-3/16x12	81	55	21	36
1J746-10-12	1J748-10-12	20	3/4	-12	19,1	1x14	73	47	16	30
1J746-12-12	1J748-12-12	20	3/4	-12	19,1	1-3/16x12	83	57	21	36
1J746-16-12	1J748-16-12	20	3/4	-12	19,1	1-7/16x12	94	68	24	41
1J746-12-16	1J748-12-16	25	1	-16	25,4	1-3/16x12	91	61	21	36
1J746-16-16	1J748-16-16	25	1	-16	25,4	1-7/16x12	100	70	24	41
1J746-20-16	1J748-20-16	25	1	-16	25,4	1-11/16x12	101	71	26	50
1J746-20-20		32	1-1/4	-20	31,8	1-11/16x12	124	86	26	50
	1J748-20-20	32	1-1/4	-20	31,8	1-11/16x12	130	82	27	50
	1J748-24-24	40	1.1/2	-24	38,1	2x12	148	110	40	60

Material: steel chromium(VI) free plated

Information about standard products or non-standard products can be found in the current price list.
Dimensions shown may be changed at any time without prior notice.

J9 – Female ORFS – Swivel – 90° Elbow – Short Drop

ISO 12151-1 – SWES, SAE J516 – ORFS 90°



Approved fitting series for hose types:

46	441 / 441RH / 461LT / 462 / 462ST / 463 / 492 / 492ST / 692 / 692 TWIN
48	301SN / 302 / 421RH / 421SN / 422 / 426 / 436 / 441 / 451TC / 471TC / 472TC / 493 / 811 / 881

XXXX-XX-XX Part Number		Hose I.D.				Thread UNF	A	B	E	W
46	48	DN	Inch	Size	mm		mm	mm	mm	mm
1J946-4-4	1J948-4-4	6	1/4	-4	6,3	9/16x18	48	24	21	17
1J946-6-4	1J948-6-4	6	1/4	-4	6,3	11/16x16	48	24	23	22
1J946-8-4	1J948-8-4	6	1/4	-4	6,3	13/16x16	50	26	29	24
1J946-6-5	1J948-6-5	8	5/16	-5	7,9	11/16x16	53	29	23	22
1J946-4-6	1J948-4-6	10	3/8	-6	9,5	9/16x18	47	24	21	17
1J946-6-6	1J948-6-6	10	3/8	-6	9,5	11/16x16	52	29	23	22
1J946-8-6	1J948-8-6	10	3/8	-6	9,5	13/16x16	53	30	29	24
1J946-6-8	1J948-6-8	12	1/2	-8	12,7	11/16x16	53	29	23	22
1J946-8-8	1J948-8-8	12	1/2	-8	12,7	13/16x16	55	32	29	24
1J946-10-8	1J948-10-8	12	1/2	-8	12,7	1x14	66	43	32	30
1J946-12-8	1J948-12-8	12	1/2	-8	12,7	1-3/16x12	58	34	48	36
1J946-10-10	1J948-10-10	16	5/8	-10	15,9	1x14	66	40	32	30
1J946-12-10	1J948-12-10	16	5/8	-10	15,9	1-3/16x12	71	45	48	36
1J946-10-12	1J948-10-12	20	3/4	-12	19,1	1x14	69	43	32	30
1J946-12-12	1J948-12-12	20	3/4	-12	19,1	1-3/16x12	80	54	48	36
1J946-16-12	1J948-16-12	20	3/4	-12	19,1	1-7/16x12	88	62	56	41
1J946-12-16	1J948-12-16	25	1	-16	25,4	1-3/16-12	88	58	48	36
1J946-16-16	1J948-16-16	25	1	-16	25,4	1-7/16x12	96	66	56	41
1J946-20-16	1J948-20-16	25	1	-16	25,4	1-11/16x12	104	74	64	50
1J946-20-20		32	1-1/4	-20	31,8	1-11/16x12	124	86	64	50
	1J948-20-20	32	1-1/4	-20	31,8	1-11/16x12	130	83	64	50
	1J948-24-24	40	1-1/2	-24	38,1	2x12	140	102	82	60

Material: steel chromium(VI) free plated

Information about standard products or non-standard products can be found in the current price list. Dimensions shown may be changed at any time without prior notice.


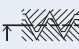



J1 - Female ORFS – Swivel – 90° Elbow – Long Drop

ISO 12151-1 – SWEL, SAE J 516 – ORFS 90° L



Approved fitting series for hose types:

	46	441 / 441RH / 461LT / 462 / 462ST / 463 / 492 / 492ST / 692 / 692 TWIN
	48	301SN / 302 / 421RH / 421SN / 422 / 426 / 436 / 441 / 451TC / 471TC / 472TC / 493 / 811 / 881

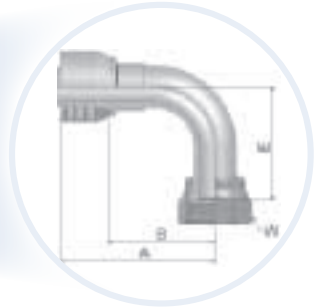
XXXX-XX-XX Part Number		 Hose I.D.				 Thread UNF	A	B	E	 W
		DN	Inch	Size	mm		mm	mm	mm	mm
1J146-4-4	1J148-4-4	6	1/4	-4	6,3	9/16x18	58	35	46	17
1J146-6-4	1J148-6-4	6	1/4	-4	6,3	11/16x16	60	36	54	22
1J146-6-6	1J148-6-6	10	3/8	-6	9,5	11/16x16	58	35	54	22
1J146-8-6	1J148-8-6	10	3/8	-6	9,5	13/16x16	60	37	64	24
1J146-8-8	1J148-8-8	12	1/2	-8	12,7	13/16x16	61	37	64	24
1J146-10-8	1J148-10-8	12	1/2	-8	12,7	1x14	66	43	70	30
1J146-10-10	1J148-10-10	16	5/8	-10	15,9	1x14	65	40	70	30
1J146-12-10	1J148-12-10	16	5/8	-10	15,9	1-3/16x12	70	45	96	36
1J146-12-12	1J148-12-12	20	3/4	-12	19,1	1-3/16x12	80	54	96	36
1J146-16-16	1J148-16-16	25	1	-16	25,4	1-7/16x12	95	66	114	41
	1J148-20-20	32	1-1/4	-20	31,8	1-11/16x12	130	82	129	50

Material: steel chromium(VI) free plated

Information about standard products or non-standard products can be found in the current price list. Dimensions shown may be changed at any time without prior notice.

J5 – Female ORFS – Swivel – 90° Elbow – Medium Drop

ISO 12151-1 – SWEM, SAE J 516 – ORFS 90° M



Approved fitting series for hose types:

	46	441 / 441RH / 461LT / 462 / 462ST / 463 / 492 / 492ST / 692 / 692 TWIN
	48	301SN / 302 / 421RH / 421SN / 422 / 426 / 436 / 441 / 451TC / 471TC / 472TC / 493 / 811 / 881

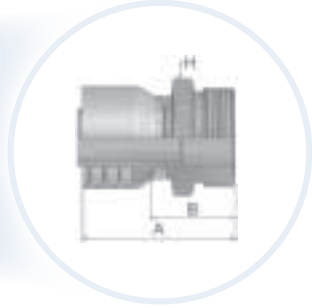
XXXX-XX-XX Part Number		Hose I.D.				Thread UNF	A	B	E	W
46	48	DN	Inch	Size	mm		mm	mm	mm	mm
1J546-4-4	1J548-4-4	6	1/4	-4	6,3	9/16x18	59	35	32	17
1J546-6-4	1J548-6-4	6	1/4	-4	6,3	11/16x16	62	38	38	22
1J546-6-6	1J548-6-6	10	3/8	-6	9,5	11/16x16	58	35	38	22
1J546-8-6	1J548-8-6	10	3/8	-6	9,5	13/16x16	60	37	41	24
1J546-8-8	1J548-8-8	12	1/2	-8	12,7	13/16x16	60	37	41	24
1J546-10-8	1J548-10-8	12	1/2	-8	12,7	1x14	66	43	47	30
1J546-10-10	1J548-10-10	16	5/8	-10	15,9	1x14	65	40	47	30
1J546-12-10	1J548-12-10	16	5/8	-10	15,9	1-3/16x12	71	45	58	36
1J546-12-12	1J548-12-12	20	3/4	-12	19,1	1-3/16x12	80	54	58	36
1J546-16-12	1J548-16-12	20	3/4	-12	19,1	1-7/16x12	88	62	71	41
1J546-16-16	1J548-16-16	25	1	-16	25,4	1-7/16x12	98	68	71	41

Material: steel chromium(VI) free plated

Information about standard products or non-standard products can be found in the current price list. Dimensions shown may be changed at any time without prior notice.


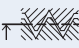
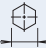


JM - ORFS Male

ISO 12151-1-S – SAE J516



Approved fitting series for hose types:

	46	441 / 441RH / 461LT / 462 / 462ST / 463 / 492 / 492ST / 692 / 692 TWIN
	48	301SN / 302 / 421RH / 421SN / 422 / 426 / 436 / 441 / 451TC / 471TC / 472TC / 493 / 811 / 881

XXXX-XX Part Number		 Hose I.D.				 Thread UNF	A	B	 H
		DN	Inch	Size	mm		mm	mm	mm
1JM46-4-4	1JM48-4-4	6	1/4	-4	6,3	9/16x18	46	22	17
1JM46-6-4	1JM48-6-4	6	1/4	-4	6,3	11/16x16	48	24	19
1JM46-6-5	1JM48-6-5	8	5/16	-5	7,9	11/16x16	50	26	19
1JM46-6-6	1JM48-6-6	10	3/8	-6	9,5	11/16x16	47	24	19
1JM46-8-6	1JM48-8-6	10	3/8	-6	9,5	13/16x16	50	27	22
1JM46-8-8	1JM48-8-8	12	1/2	-8	12,7	13/16x16	51	27	22
1JM46-10-8	1JM48-10-8	12	1/2	-8	12,7	1x14	55	32	27
1JM46-10-10	1JM48-10-10	16	5/8	-10	15,9	1x14	57	32	27
1JM46-12-10	1JM48-12-10	16	5/8	-10	15,9	1-3/16x12	59	34	32
1JM46-12-12	1JM48-12-12	20	3/4	-12	19,1	1-3/16x12	61	35	32
1JM46-16-12	1JM48-16-12	20	3/4	-12	19,1	1-7/16x12	64	38	41
1JM46-16-16	1JM48-16-16	25	1	-16	25,4	1-7/16x12	67	37	41
1JM46-20-16	1JM48-20-16	25	1	-16	25,4	1-11/16x12	66	36	46
1JM46-20-20		32	1-1/4	-20	31,8	1-11/16x12	76	38	46
	1JM48-20-20	32	1-1/4	-20	31,8	1-11/16x12	85	37	46
	1JM48-24-20	32	1-1/4	-20	31,8	2x12	87	40	55

For O-ring dimensions and part-numbers see Section Eb.
Material: steel chromium(VI) free plated

Information about standard products or non-standard products can be found in the current price list.
Dimensions shown may be changed at any time without prior notice.

JD – Male ORFS – Bulkhead with Locknut – Straight (with O-ring)

ISO 12151-1 – SAE J516



Approved fitting series for hose types:

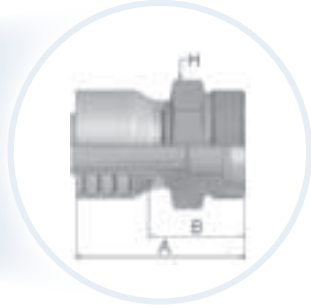
	46	441 / 441RH / 461LT / 462 / 462ST / 463 / 492 / 492ST / 692 / 692 TWIN
	48	301SN / 302 / 421RH / 421SN / 422 / 426 / 436 / 441 / 451TC / 471TC / 472TC / 493 / 811 / 881

XXXX-XX-XX Part Number		 Hose I.D.				 Thread UNF	A	B	H	W
		DN	Inch	Size	mm		mm	mm	mm	mm
1JD46-4-4	1JD48-4-4	6	1/4	-4	6,3	9/16x18	72	48	22	22
1JD46-6-6	1JD48-6-6	10	3/8	-6	9,5	11/16x16	74	51	27	27
1JD46-8-8	1JD48-8-8	12	1/2	-8	12,7	13/16x16	79	56	30	30
1JD46-10-10	1JD48-10-10	16	5/8	-10	15,9	1x14	86	60	32	36
1JD46-12-12	1JD48-12-12	20	3/4	-12	19,1	1-3/16x12	89	63	36	38
1JD46-16-16	1JD48-16-16	25	1	-16	25,4	1-7/16x12	94	64	46	46

For O-ring dimensions and part-numbers see Section Eb.
Material: steel chromium(VI) free plated

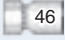


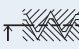

Information about standard products or non-standard products can be found in the current price list.
Dimensions shown may be changed at any time without prior notice.

FG – Male French Gas Series – Rigid – Straight (24° Cone)



Approved fitting series for hose types:

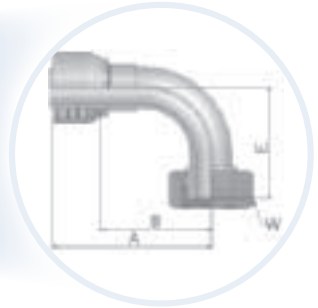
	46	441 / 441RH / 461LT / 462 / 462ST / 463 / 492 / 492ST / 692 / 692 TWIN
	48	301SN / 302 / 421RH / 421SN / 422 / 426 / 436 / 441 / 451TC / 471TC / 472TC / 493 / 811 / 881

XXXX-XX-XX Part Number  46  48	 Hose I.D.				 Thread metric	Tube O.D.	A	B	 H
	DN	Inch	Size	mm		mm	mm	mm	mm
1FG48-13-5	8	5/16	-5	7,9	M20x1,5	13	53	29	22
1FG48-13-6	10	3/8	-6	9,5	M20x1,5	13	52	29	22
1FG48-17-8	12	1/2	-8	12,7	M24x1,5	17	51	27	24
1FG48-21-10	16	5/8	-10	15,9	M30x1,5	21	58	32	30
1FG48-27-12	20	3/4	-12	19,1	M36x1,5	27	60	34	36
1FG48-33-16	25	1	-16	25,4	M45x1,5	33	69	40	46

Material: steel chromium(VI) free plated

Information about standard products or non-standard products can be found in the current price list.
Dimensions shown may be changed at any time without prior notice.

F2 – Female French Swivel Female – Gas Series 90° Elbow



Approved fitting series for hose types:

	46	441 / 441RH / 461LT / 462 / 462ST / 463 / 492 / 492ST / 692 / 692 TWIN
	48	301SN / 302 / 421RH / 421SN / 422 / 426 / 436 / 441 / 451TC / 471TC / 472TC / 493 / 811 / 881

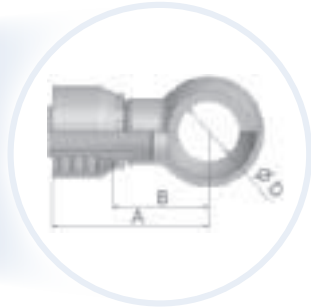
XXXX-XX-XX Part Number 	 Hose I.D.				 Thread metric	Tube O.D.	A	B	E	 W
	DN	Inch	Size	mm						
1F248-13-5	8	5/16	-5	7,9	M20x1,5	13	59	35	30	24
1F248-13-6	10	3/8	-6	9,5	M20x1,5	13	60	38	33	24
1F248-17-8	12	1/2	-8	12,7	M24x1,5	17	61	37	43	30
1F248-21-10	16	5/8	-10	15,9	M30x1,5	21	71	46	45	36

Material: steel chromium(VI) free plated

Information about standard products or non-standard products can be found in the current price list. Dimensions shown may be changed at any time without prior notice.




49 – Metric Banjo – Straight

DIN 7642



Approved fitting series for hose types:

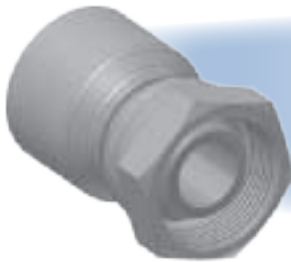
	46	441 / 441RH / 461LT / 462 / 462ST / 463 / 492 / 492ST / 692 / 692 TWIN
	48	301SN / 302 / 421RH / 421SN / 422 / 426 / 436 / 441 / 451TC / 471TC / 472TC / 493 / 811 / 881

XXXX-XX-XX Part Number		 Hose I.D.				D	A	B
		DN	Inch	Size	mm	mm	mm	mm
14946-10-4	14948-10-4	6	1/4	-4	6,3	10	47	24
14946-12-4	14948-12-4	6	1/4	-4	6,3	12	50	26
14946-14-4	14948-14-4	6	1/4	-4	6,3	14	51	28
14946-17-4	14948-17-4	6	1/4	-4	6,3	17	52	29
14946-14-5	14948-14-5	8	5/16	-5	7,9	14	52	28
14946-16-5	14948-16-5	8	5/16	-5	7,9	16	53	30
14946-16-6	14948-16-6	10	3/8	-6	9,5	16	53	30
14946-17-6	14948-17-6	10	3/8	-6	9,5	17	53	30
14946-18-6	14948-18-6	10	3/8	-6	9,5	18	55	32
14946-22-6	14948-22-6	10	3/8	-6	9,5	22	58	35
14946-18-8	14948-18-8	12	1/2	-8	12,7	18	56	32
14946-22-8	14948-22-8	12	1/2	-8	12,7	22	59	35
14946-22-10	14948-22-10	16	5/8	-10	15,9	22	60	35
14946-26-12	14948-26-12	20	3/4	-12	19,1	26	66	40
14946-27-12	14948-27-12	20	3/4	-12	19,1	27	66	40
	14948-30-16	25	1	-16	25,4	30	77	47

To select corresponding screw and seals see section Eb.
Material: steel chromium(VI) free plated




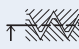

Information about standard products or non-standard products can be found in the current price list.
Dimensions shown may be changed at any time without prior notice.

F4 – Female French Gas Series – Swivel – Straight (Ball Nose)



Approved fitting series for hose types:

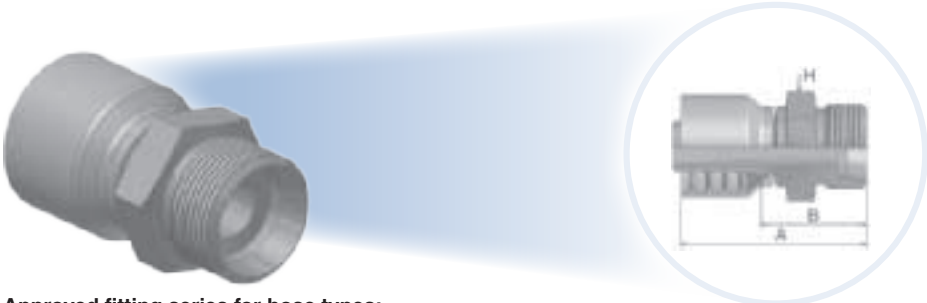
	46	441 / 441RH / 461LT / 462 / 462ST / 463 / 492 / 492ST / 692 / 692 TWIN
	48	301SN / 302 / 421RH / 421SN / 422 / 426 / 436 / 441 / 451TC / 471TC / 472TC / 493 / 811 / 881

XXXX-XX-XX Part Number  	 Hose I.D.				 Thread metric	Tube O.D.	A	B	 W
	DN	Inch	Size	mm					
1F448-13-4	6	1/4	-4	6,3	M20x1,5	13	48	24	24
1F448-13-5	8	5/16	-5	7,9	M20x1,5	13	48	24	24
1F446-13-6	10	3/8	-6	9,5	M20x1,5	13	46	23	24
1F448-17-6	10	3/8	-6	9,5	M24x1,5	17	50	27	30
1F448-13-8	12	1/2	-8	12,7	M20x1,5	13	46	22	24
1F446-17-8	12	1/2	-8	12,7	M24x1,5	17	49	25	30
1F446-21-10	16	5/8	-10	15,9	M30x1,5	21	50	25	36
1F448-21-12	20	3/4	-12	19,1	M30x1,5	21	51	25	36
1F448-27-12	20	3/4	-12	19,1	M36x1,5	27	59	33	46
1F448-33-16	25	1	-16	25,4	M45x1,5	33	63	33	55

Assembly with Parkrimp 2 machine only.
Material: steel chromium(VI) free plated

Information about standard products or non-standard products can be found in the current price list.
Dimensions shown may be changed at any time without prior notice.

F6 - French Male Metric Series (24° Cone)



Approved fitting series for hose types:

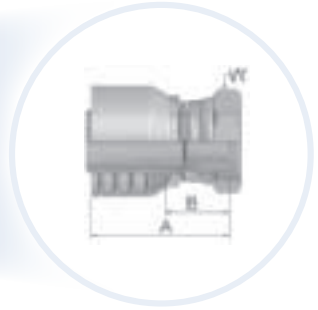
	46	441 / 441RH / 461LT / 462 / 462ST / 463 / 492 / 492ST / 692 / 692 TWIN
	48	301SN / 302 / 421RH / 421SN / 422 / 426 / 436 / 441 / 451TC / 471TC / 472TC / 493 / 811 / 881

XXXX-XX-XX Part Number 46 48	 Hose I.D.				 Thread metric	Tube O.D. mm	A mm	B mm	 H mm
	DN	Inch	Size	mm					
1F648-14-6	10	3/8	-6	9,5	M20x1,5	14	50	27	22
1F648-20-10	16	5/8	-10	15,9	M27x1,5	20	59	33	30

Material: steel chromium(VI) free plated

Information about standard products or non-standard products can be found in the current price list. Dimensions shown may be changed at any time without prior notice.

F9 – French Swivel Female Metric Series – (Ball Nose)



Approved fitting series for hose types:

	46	441 / 441RH / 461LT / 462 / 462ST / 463 / 492 / 492ST / 692 / 692 TWIN
	48	301SN / 302 / 421RH / 421SN / 422 / 426 / 436 / 441 / 451TC / 471TC / 472TC / 493 / 811 / 881

XXXX-XX-XX Part Number 	 Hose I.D.				 Thread metric	Tube O.D.	A	B	 W
	DN	Inch	Size	mm					
1F948-6-4	6	1/4	-4	6,3	M12x1	6	44	20	14
1F948-10-4	6	1/4	-4	6,3	M16x1,5	10	46	22	19
1F948-14-6	10	3/8	-6	9,5	M20x1,5	14	45	22	24
1F948-18-10	16	5/8	-10	15,9	M27x1,5	18	50	25	32
1F948-20-10	16	5/8	-10	15,9	M27x1,5	20	50	25	32
1F948-22-12	20	3/4	-12	19,1	M30x1,5	22	54	28	36
1F948-25-12	20	3/4	-12	19,1	M33x1,5	25	56	30	41
1F948-30-16	25	1	-16	25,4	M39x1,5	30	62	32	50

Material: steel chromium(VI) free plated




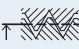
Information about standard products or non-standard products can be found in the current price list. Dimensions shown may be changed at any time without prior notice.

FA - Metric Male for Agricultural Valves



Approved fitting series for hose types:

	46	441 / 441RH / 461LT / 462 / 462ST / 463 / 492 / 492ST / 692 / 692 TWIN
	48	301SN / 302 / 421RH / 421SN / 422 / 426 / 436 / 441 / 451TC / 471TC / 472TC / 493 / 811 / 881

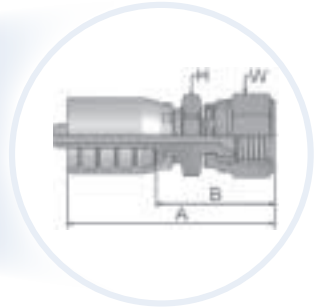
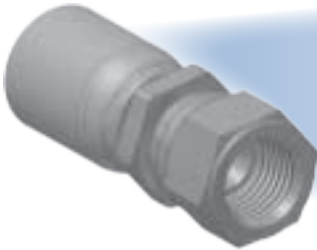
XXXX-XX-XX Part Number  46  48	 Hose I.D.				 Thread metric	A	B	H
	DN	Inch	Size	mm		mm	mm	mm
1FA48-12-5	8	5/16	-5	7,9	M18x1,5	53	29	19
1FA48-12-6	10	3/8	-6	9,5	M18x1,5	52	29	19
1FA48-12-8	12	1/2	-8	12,7	M18x1,5	53	29	19

Material: steel chromium(VI) free plated

Information about standard products or non-standard products can be found in the current price list.
Dimensions shown may be changed at any time without prior notice.

FU – Female BSP Parallel Pipe – Swivel – Straight (30° Flare)

ISO 228-1, JIS B8363 – GUI



Approved fitting series for hose types:

	46	441 / 441RH / 461LT / 462 / 462ST / 463 / 492 / 492ST / 692 / 692 TWIN
	48	301SN / 302 / 421RH / 421SN / 422 / 426 / 436 / 441 / 451TC / 471TC / 472TC / 493 / 811 / 881

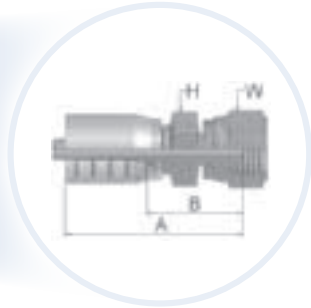
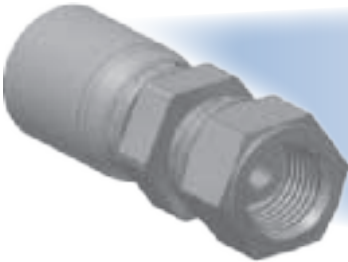
XXXX-XX-XX Part Number		Hose I.D.				Thread BSP	A	B	H	W
46	48	DN	Inch	Size	mm		mm	mm	mm	mm
1FU46-4-4	1FU48-4-4	6	1/4	-4	6,3	1/4x19	53	29	19	19
	1FU48-4-6	10	3/8	-6	9,5	1/4x19	47	24	19	19
1FU46-6-6	1FU48-6-6	10	3/8	-6	9,5	3/8x19	46	23	24	22
1FU46-8-8	1FU48-8-8	12	1/2	-8	12,7	1/2x14	61	38	27	27
1FU46-12-12	1FU46-12-12	20	3/4	-12	19,1	3/4x14	68	42	36	36
1FU46-16-16	1FU48-16-16	25	1	-16	25,4	1x11	76	46	41	41

Material: steel chromium(VI) free plated

Information about standard products or non-standard products can be found in the current price list.
Dimensions shown may be changed at any time without prior notice.

GU – Female BSP Parallel Pipe – Swivel – Straight (60° Cone)

ISO 228-1, JIS B8363 – GUO



Approved fitting series for hose types:

	46	441 / 441RH / 461LT / 462 / 462ST / 463 / 492 / 492ST / 692 / 692 TWIN
	48	301SN / 302 / 421RH / 421SN / 422 / 426 / 436 / 441 / 451TC / 471TC / 472TC / 493 / 811 / 881

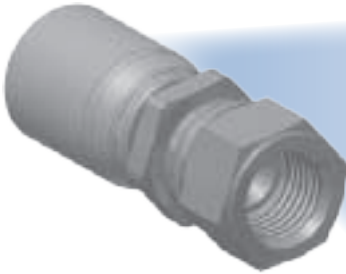
XXXX-XX-XX Part Number 		 Hose I.D.				 Thread BSP	A	B	H	W
		DN	Inch	Size	mm	mm	mm	mm	mm	
1GU46-4-4	1GU48-4-4	6	1/4	-4	6,3	1/4x19	51	27	19	19
1GU46-6-6	1GU48-6-6	10	3/8	-6	9,5	3/8x19	52	29	22	22
1GU46-8-8	1GU48-8-8	12	1/2	-8	12,7	1/2x14	55	32	27	27

Material: steel chromium(VI) free plated

Information about standard products or non-standard products can be found in the current price list.
Dimensions shown may be changed at any time without prior notice.

MU – Female Metric – Swivel – Straight (30° Flare)

JIS B8363 – MU



Approved fitting series for hose types:

	46	441 / 441RH / 461LT / 462 / 462ST / 463 / 492 / 492ST / 692 / 692 TWIN
	48	301SN / 302 / 421RH / 421SN / 422 / 426 / 436 / 441 / 451TC / 471TC / 472TC / 493 / 811 / 881

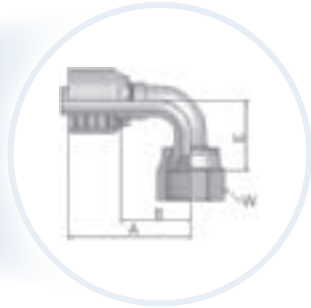
XXXX-XX-XX Part Number		 Hose I.D.				 Thread metric	A	B	H	W
46	48	DN	Inch	Size	mm		mm	mm	mm	mm
1MU46-4-4	1MU48-4-4	6	1/4	-4	6,3	M14x1,5	45	21	19	19
1MU46-6-4	1MU48-6-4	6	1/4	-4	6,3	M18x1,5	57	33	24	24
1MU46-6-6	1MU48-6-6	10	3/8	-6	9,5	M18x1,5	46	23	24	24
1MU46-8-8	1MU48-8-8	12	1/2	-8	12,7	M22x1,5	51	27	27	27

Material: steel chromium(VI) free plated

Information about standard products or non-standard products can be found in the current price list. Dimensions shown may be changed at any time without prior notice.

MZ - Female Metric - Swivel - 90° Elbow (30° Flare)

JIS B8363



Approved fitting series for hose types:

	46	441 / 441RH / 461LT / 462 / 462ST / 463 / 492 / 492ST / 692 / 692 TWIN
	48	301SN / 302 / 421RH / 421SN / 422 / 426 / 436 / 441 / 451TC / 471TC / 472TC / 493 / 811 / 881

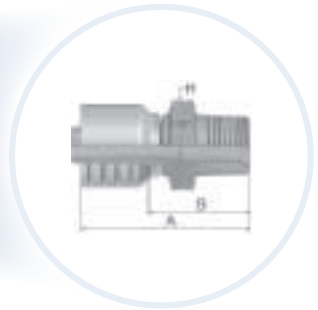
XXXX-XX-XX Part Number		 Hose I.D.				 Thread metric	A	B	E	 W
		DN	Inch	Size	mm		mm	mm	mm	mm
1MZ46-4-4	1MZ48-4-4	6	1/4	-4	6,3	M14x1,5	48	24	23	19
1MZ46-6-6	1MZ48-6-6	10	3/8	-6	9,5	M18x1,5	51	28	29	24
1MZ46-8-8	1MZ48-8-8	12	1/2	-8	12,7	M22x1,5	55	31	31	27

Material: steel chromium(VI) free plated

Information about standard products or non-standard products can be found in the current price list.
Dimensions shown may be changed at any time without prior notice.

UT – Male BSP Taper Pipe – Rigid – Straight (60° Cone)

JIS B 8363-R



Approved fitting series for hose types:

	46	441 / 441RH / 461LT / 462 / 462ST / 463 / 492 / 492ST / 692 / 692 TWIN
	48	301SN / 302 / 421RH / 421SN / 422 / 426 / 436 / 441 / 451TC / 471TC / 472TC / 493 / 811 / 881

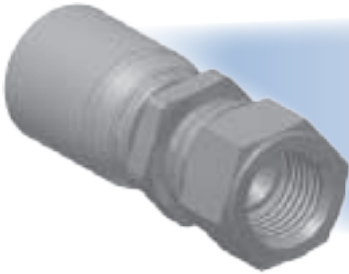
XXXX-XX-XX Part Number		 Hose I.D.				 Thread BSP	A	B	 H
		DN	Inch	Size	mm		mm	mm	mm
1UT46-4-4	1UT48-4-4	6	1/4	-4	6,3	1/4x19	51	27	19
1UT46-8-8	1UT48-8-8	12	1/2	-8	12,7	1/2x14	59	36	27

Material: steel chromium(VI) free plated

Information about standard products or non-standard products can be found in the current price list.
Dimensions shown may be changed at any time without prior notice.

XU – Female Metric – Swivel – Straight (30° Flare)

JIS B8363



Approved fitting series for hose types:

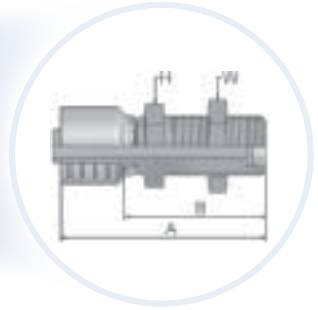
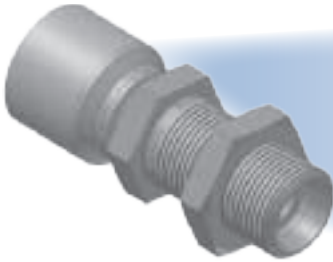
	46	441 / 441RH / 461LT / 462 / 462ST / 463 / 492 / 492ST / 692 / 692 TWIN
	48	301SN / 302 / 421RH / 421SN / 422 / 426 / 436 / 441 / 451TC / 471TC / 472TC / 493 / 811 / 881

XXXX-XX-XX Part Number 	 Hose I.D.				 Thread metric	A mm	B mm	 H mm	 W mm
	DN	Inch	Size	mm					
1XU48-10-10	16	5/8	-10	15,9	M24x1,5	69	44	30	32
1XU48-12-12	20	3/4	-12	19,1	M30x1,5	73	47	32	36
1XU48-16-16	25	1	-16	25,4	M33x1,5	90	61	36	41

Material: steel chromium(VI) free plated

Information about standard products or non-standard products can be found in the current price list.
Dimensions shown may be changed at any time without prior notice.

DK – Male Metric L – Rigid – Bulkhead with Locknut (24° Cone)



Approved fitting series for hose types:

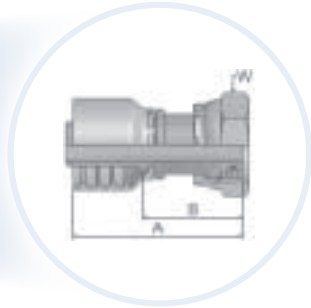
	46	441, 461LT, 462, 462ST, 463, 492, 492ST, 692, 692 TWIN
	48	301SN, 302, 421SN, 422, 426, 436, 441, 451TC, 471TC /472TC, 493, 811, 881

XXXX-XX-XX Part Number		 Hose I.D.				 Thread metric	A	B	 H	 W
46	48	DN	Inch	Size	mm		mm	mm	mm	mm
1DK46-12-6	1DK48-12-6	10	3/8	-6	9,5	M18x1,5	75	52	24	24
1DK46-18-10	1DK48-18-10	16	5/8	-10	15,9	M26x1,5	85	60	32	36

Material: steel chromium(VI) free plated

Information about standard products or non-standard products can be found in the current price list. Dimensions shown may be changed at any time without prior notice.

DX – Female Metric Swivel (M27x2) O-ring – Light Series



Approved fitting series for hose types:

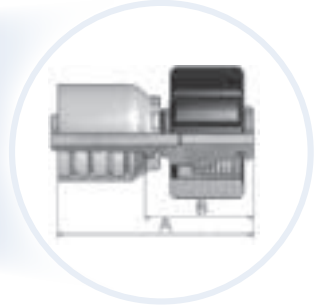
	46	441 / 441RH / 461LT / 462 / 462ST / 463 / 492 / 492ST / 692 / 692 TWIN
	48	301SN / 302 / 421RH / 421SN / 422 / 426 / 436 / 441 / 451TC / 471TC / 472TC / 493 / 811 / 881

Part Number		Hose I.D.				Thread metric	A	B	W
46	48	DN	Inch	Size	mm		mm	mm	mm
1DX46-18-10	1DX48-18-10	16	5/8	-10	15,9	M27x2	61	36	32

Material: steel chromium(VI) free plated

Information about standard products or non-standard products can be found in the current price list. Dimensions shown may be changed at any time without prior notice.

CW – Power Cleaner Connection



Approved fitting series for hose types:

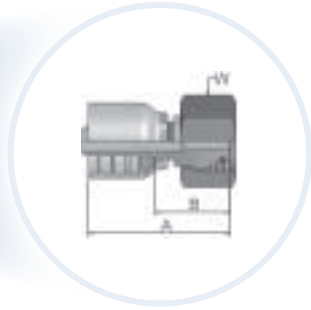
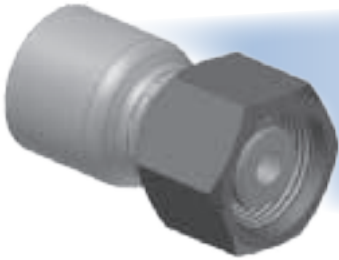
	46	441 / 441RH / 461LT / 462 / 462ST / 463 / 492 / 492ST / 692 / 692 TWIN
	48	301SN / 302 / 421RH / 421SN / 422 / 426 / 436 / 441 / 451TC / 471TC / 472TC / 493 / 811 / 881

XXXX-XX-XX Part Number		 Hose I.D.				 Thread metric	Tube O.D.	A	B
		DN	Inch	Size	mm	mm	mm	mm	
1CW46-15-4	1CW48-15-4	6	1/4	-4	6,3	M22x1,5	15	53	29
1CW46-15-5	1CW48-15-5	8	5/16	-5	7,9	M22x1,5	15	53	29
1CW46-15-6	1CW48-15-6	10	3/8	-6	9,5	M22x1,5	15	52	29
1CW46-15-8	1CW48-15-8	12	1/2	-8	12,7	M22x1,5	15	53	29

Rubber hand grip Part-No. WKS-X-XXX in black or blue please find on page Eb-12.
Material: steel chromium(VI) free plated

Information about standard products or non-standard products can be found in the current price list.
Dimensions shown may be changed at any time without prior notice.

NW – Female Kärcher Metric Cleaning Hose Fitting – Swivel – Straight
(New Design)



Approved fitting series for hose types:

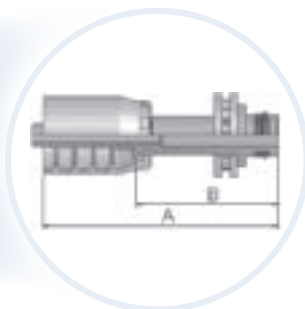
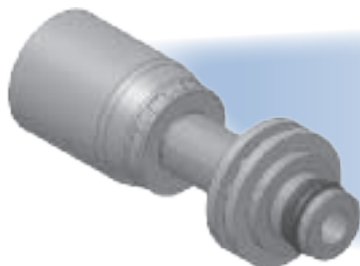
	46	441 / 441RH / 461LT / 462 / 462ST / 463 / 492 / 492ST / 692 / 692 TWIN
	48	301SN / 302 / 421RH / 421SN / 422 / 426 / 436 / 441 / 451TC / 471TC / 472TC / 493 / 811 / 881

Part Number		Hose I.D.				Thread metric	Tube O.D.	A	B
XXXX-XX-XX		DN	Inch	Size	mm		mm	mm	mm
1NW46-15-4	1NW48-15-4	6	1/4	-4	6,3	M22x1,5	15	52	29
1NW46-15-5	1NW48-15-5	8	5/16	-5	7,9	M22x1,5	15	52	29
1NW46-15-6	1NW48-15-6	10	3/8	-6	9,5	M22x1,5	15	48	25

Rubber hand grip Part-No. WKS-X-XXX in black or blue please find on page Eb-12.
Material: steel chromium(VI) free plated




Information about standard products or non-standard products can be found in the current price list.
Dimensions shown may be changed at any time without prior notice.

PW – Male Kärcher Metric Cleaning Hose Fitting – Rigid – Straight



Approved fitting series for hose types:

	46	441 / 441RH / 461LT / 462 / 462ST / 463 / 492 / 492ST / 692 / 692 TWIN
	48	301SN / 302 / 421RH / 421SN / 422 / 426 / 436 / 441 / 451TC / 471TC / 472TC / 493 / 811 / 881

XXXX-XX-XX Part Number		 Hose I.D.				Tube O.D.	A	B
		DN	Inch	Size	mm	mm	mm	mm
1PW46-10-4	1PW48-10-4	6	1/4	-4	6,3	10	60	36
1PW46-11-4*	1PW48-11-4*	6	1/4	-4	6,3	11	61	37
1PW46-10-5	1PW48-10-5	8	5/16	-5	7,9	10	60	36
1PW46-11-5*	1PW48-11-5*	8	5/16	-5	7,9	11	61	37
1PW46-10-6	1PW48-10-6	10	3/8	-6	9,5	10	60	37

* equipped with a bearing
Rubber hand grip Part-No. WKS-X-XXX in black or blue please find on page Eb-12.
Material: steel chromium(VI) free plated

Information about standard products or non-standard products can be found in the current price list.
Dimensions shown may be changed at any time without prior notice.

