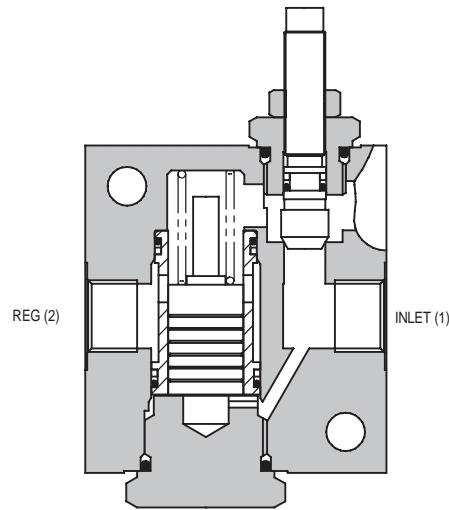




# 2FR SERIES PRESSURE COMPENSATED FLOW REGULATOR - RESTRICTIVE STYLE

## 2FR SERIES



### APPLICATION

2FR valves are restrictive flow regulators. The flow (and actuator speed) will be largely independent of the load and the pressure conditions.

If used to restrict flow from a fixed supply, for example a standard gear or piston pump, the valve will pass the required flow and any surplus flow will pass over the system relief valve.

9

### OPERATION

Inlet flow passes through the adjustable orifice and the radial holes in the spool/sleeve assembly then out of the regulated port. The pressure drop across the orifice is sensed at each end of the spool, producing a force which, at the required flow rate, overcomes the spring force. The resultant movement of the spool regulates the flow by opening the radial valve ports.

### FEATURES

Line body construction with through flow ports allows direct connection into hydraulic systems. Leakproof adjust screw gives easy, accurate adjustment to required flow setting. Hardened and ground working parts give accurate flow control and long working life.

### SPECIFICATIONS

Figures based on: Oil Temp = 40°C Viscosity = 40 cSt

<b>Rated Flow</b>	REGULATED:	
	2FR25	30 litres/min ( 8 US GPM)
<b>Max Pressure</b>	2FR55	55 litres/min (14 US GPM)
	2FR95	95 litres/min (25 US GPM)
<b>Material</b>	2FR195	195 litres/min (50 US GPM)
	All working parts hardened, ground and honed steel.	
<b>Body Material</b>	Standard aluminium (up to 210 bar*) Add suffix '377' for steel option.	
<b>Mounting Position</b>	Line mounted	
<b>Weight</b>	2FR25/2FR55	0.65 kg (1.43 lbs)
	2FR95	0.79 kg (1.74 lbs)
	2FR195	1.43 kg (3.15 lbs)
<b>Seal Kit Number</b>	2FR25/55	SK189 (Nitrile) SK189V (Viton)
	2FR95	SK202 (Nitrile) SK202V (Viton)
	2FR195	SK335 (Nitrile) SK335V (Viton)
<b>Recommended Filtration Level</b>	BS5540/4 Class 18/13 (25 micron nominal)	
<b>Operating Temp</b>	-20°C to +90°C	
<b>Nominal Viscosity Range</b>	5 to 500 cSt	

\*For applications above 210 bar please consult our technical department or use the steel body option.

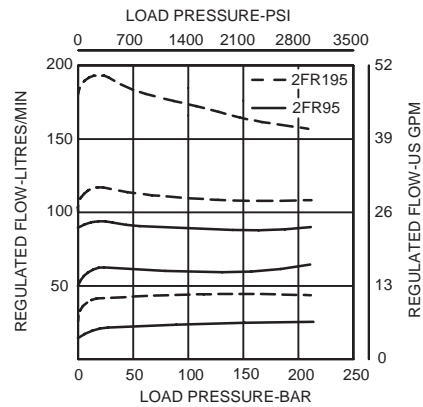
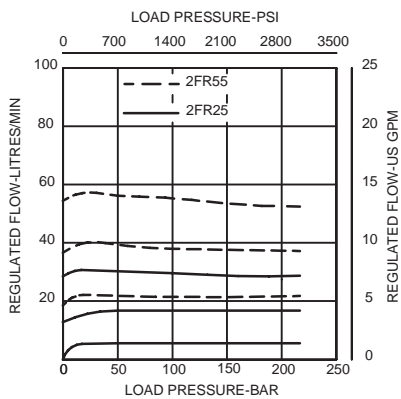
### Integrated Hydraulics Ltd

Collins Road, Heathcote Ind. Est., Warwick, CV34 6TF, UK.  
Tel: +44 (0) 1926 881171 Fax: +44 (0) 1926 315729  
Website: www.integratedhydraulics.com

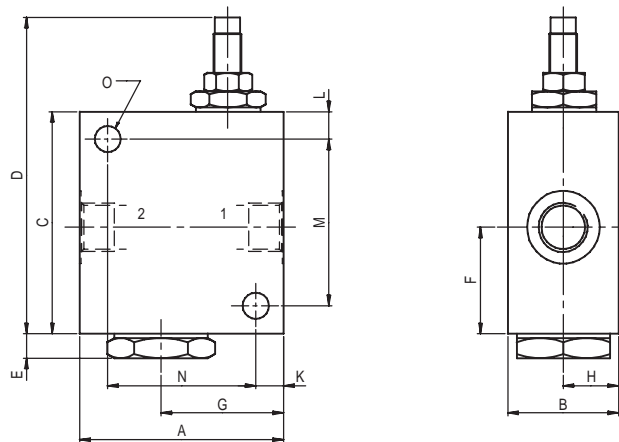
### Integrated Hydraulics Inc

7047 Spinach Drive, Mentor, Ohio 44060, USA  
Tel: (440) 974 3171 Fax: (440) 974 3170  
Website: www.integratedhydraulics.com

## PERFORMANCE



## COMPLETE VALVE



Basic Code	Port Size	A	B	C	D	E	F	G	H	K	L	M	N	O
2FR25	3/8"	70	38	76	111	7	36.5	42	19	9.5	9.5	57	51	9
2FR55	1/2"	70	38	76	111	7	36.5	42	19	9.5	9.5	57	51	9
2FR95	3/4"	76	38	89	124	7	38	46	19	9.5	9.5	70	57	10.5
2FR195	1"	95	51	102	137	7	45	57	25.5	12	12.5	76	70	10.5

Where measurements are critical request certified drawings

## ORDERING CODE EXAMPLE

2FR\*\*    P    6W    95    S

**Basic Code** \_\_\_\_\_

2FR = Complete Valve

**Adjustment Means** \_\_\_\_\_

- P = Leakproof Screw Adjustment
- R = Handknob Adjustment
- D = Detent Adjustment (2FR95 only)
- L = Lever Adjustment (2FR95 only)
- (See page 9-102 for dimensions)

**Port Sizes - Bodied Valves Only** \_\_\_\_\_

- 3W = 3/8" BSP      6T = 3/8" SAE
- 4W = 1/2" BSP     8T = 1/2" SAE
- 6W = 3/4" BSP    12T = 3/4" SAE
- 8W = 1" BSP      16T = 1" SAE

**Seals**

- S = Nitrile (For use with most industrial hydraulic oils)
- SV = Viton (For high temperature and most special fluid applications)

**Adjustable Flow Range**

- 25 = 0- 30 litres/min - 2FR25
- 55 = 0- 55 litres/min - 2FR55
- 95 = 0- 95 litres/min - 2FR95
- 195 = 0-195 litres/min - 2FR195

We reserve the right to change specifications without notice